



OMNI+ Fireline (F²) Bypass Retrofit Meter

1-1/2" or 2"

The OMNI™+ F² Fireline Bypass Retrofit Meter is based on either a 1-1/2" or 2" OMNI F² meter with advanced Floating Ball Technology (FBT). It is designed and approved to be used for Sensus Legacy W-Series compact and standard fireline bypass meter assemblies only. The OMNI+ F² Fireline Bypass Retrofit Meter is not intended for standalone fire protection systems.

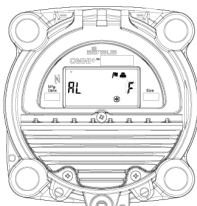
OMNI™+ REGISTER DISPLAY



Segment Test View



Totalizer View



Notification View

Conformance To Standards

The retrofit meter meets and far exceeds the most recent revision of ANSI / AWWA Standard C703 standards. Each meter is performance tested to ensure compliance. All OMNI meters are NSF approved to the latest standards. The installation of an OMNI+ F² Fireline Bypass Retrofit Meter will continue the UL Listing and FM approvals of the Legacy W-Series fireline meter assemblies as originally installed.

Performance

Meter assemblies shall have performance capabilities of continuous operation up to the rated maximum flows as listed below without affecting long-term accuracy or causing any undue component wear. All meter assemblies shall have a 25% flow capacity in excess of the maximum flows listed for intermittent flow demands. Maximum headloss through the meter assemblies shall not exceed those listed based on meter size. The patented measurement principles of the OMNI+ F² Fireline Bypass Retrofit Meter ensure enhanced accuracy ranges, an overall greater accuracy, and a longer service life than any other comparable class meter produced.

Construction

The retrofit meter consists of one basic assembly, the OMNI+ F² bypass meter. The OMNI maincase is made from industry proven ductile iron with an approved NSF epoxy coating.

1-1/2" & 2" OMNI+ F² Fireline retrofit meter hardware:

- One 1-1/2" or 2" OMNI+ F² Fireline Bypass Retrofit Meter kit includes flange gaskets and installation hardware. The size must be the same as the existing bypass meter size.
- One (Optional) - Epoxy coated spacer (with gasket and installation hardware). Spacer supplied only if replacing a flanged SR meter bypass assembly.

All hardware is 304 stainless steel. 316 stainless steel hardware is available upon request.

OMNI+ Electronic Register

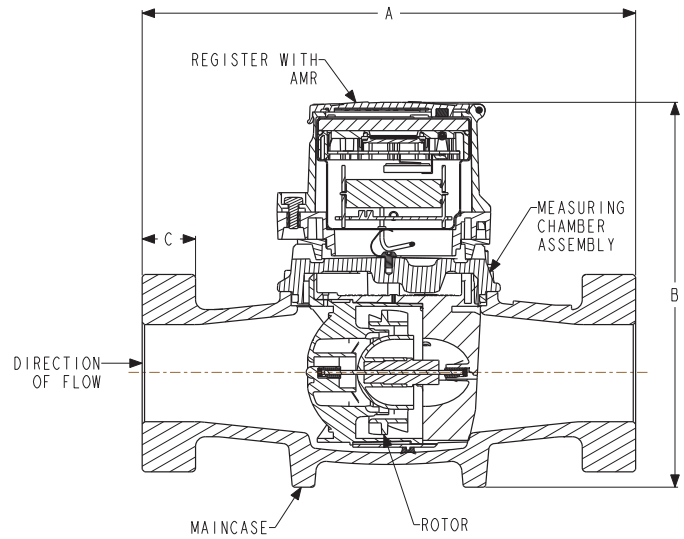
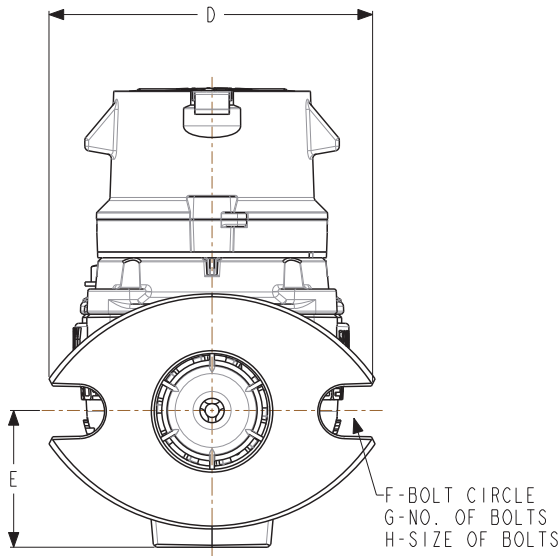
The OMNI+ electronic register is hermetically sealed with an electronic pickup containing no mechanical gearing. The OMNI+ register features a programmable totalizer registration, an optional digital pulse signal, AMI/ AMR reading digits, and a resettable test totalizer. The OMNI+ tamper-proof security cover can be positioned in any of 270 degrees of rotation, with indexing points at each of the 90-degree customary register viewing positions.

Magnetic Drive

Meter registration is achieved by utilizing a fully magnetic pickup system. This is accomplished by the magnetic actions of the embedded rotor magnets and the ultra sensitive register pickup probe.

OMNI+ Fireline (F²) Bypass Retrofit Meter

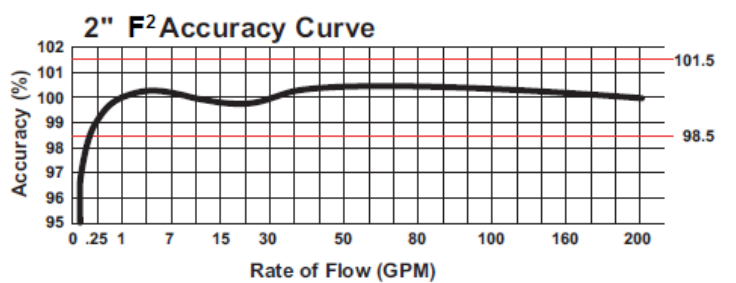
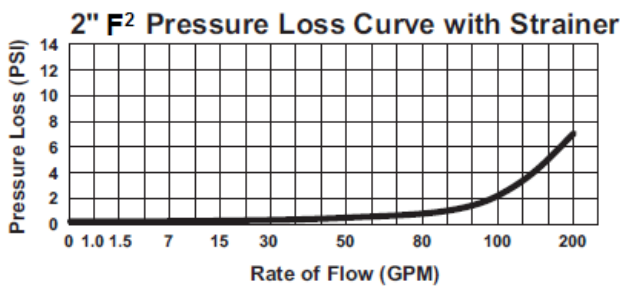
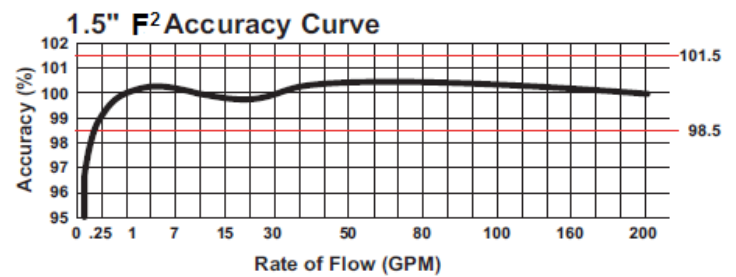
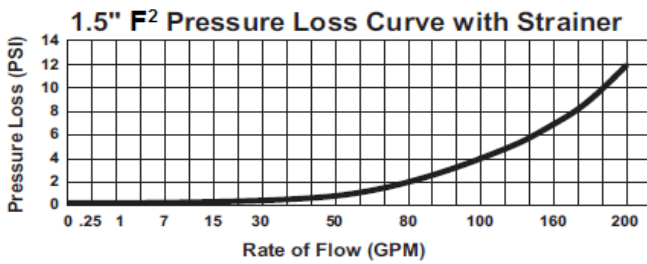
1-1/2" or 2"



DIMENSIONS AND NET WEIGHTS

Meter Size	Normal Operating Range	Low Flow	Maximum Intermittent Operation	Connections	A	B	C	D	E	F	G	H
1-1/2" DN 40mm	0.5 - 200 gpm (0.11-45 m ³ /hr)	0.25 gpm	200 gpm	Flanged	10" 254mm	7.8" 198mm	1" 25mm	5.1" 130mm	2.3" 58mm	4" 102mm	2	1/2"
2" DN 50mm	0.5 - 200 gpm (0.11-45 m ³ /hr)	0.25 gpm	200 gpm	Flanged	10" 254mm	7.8" 198mm	1.1" 28mm	5.5" 140mm	2.3" 58mm	4.5" 114mm	2	5/8"

Headloss Curves



SENSUS | 637 Davis Drive | Morrisville, NC 27560 | 800.638.3748

©2021 Sensus. All products purchased and services performed are subject to Sensus' terms of sale, available at either sensus.com/TC or 1-800-638-3748. Sensus reserves the right to modify these terms and conditions in its own discretion without notice to the customer. The Sensus logo is a registered trademark of Sensus.

This document is for informational purposes only, and SENSUS MAKES NO EXPRESS WARRANTIES IN THIS DOCUMENT. FURTHERMORE, THERE ARE NO IMPLIED WARRANTIES, INCLUDING WITHOUT LIMITATION, WARRANTIES AS TO FITNESS FOR A PARTICULAR PURPOSE AND MERCHANTABILITY. ANY USE OF THE PRODUCTS THAT IS NOT SPECIFICALLY PERMITTED HEREIN IS PROHIBITED.