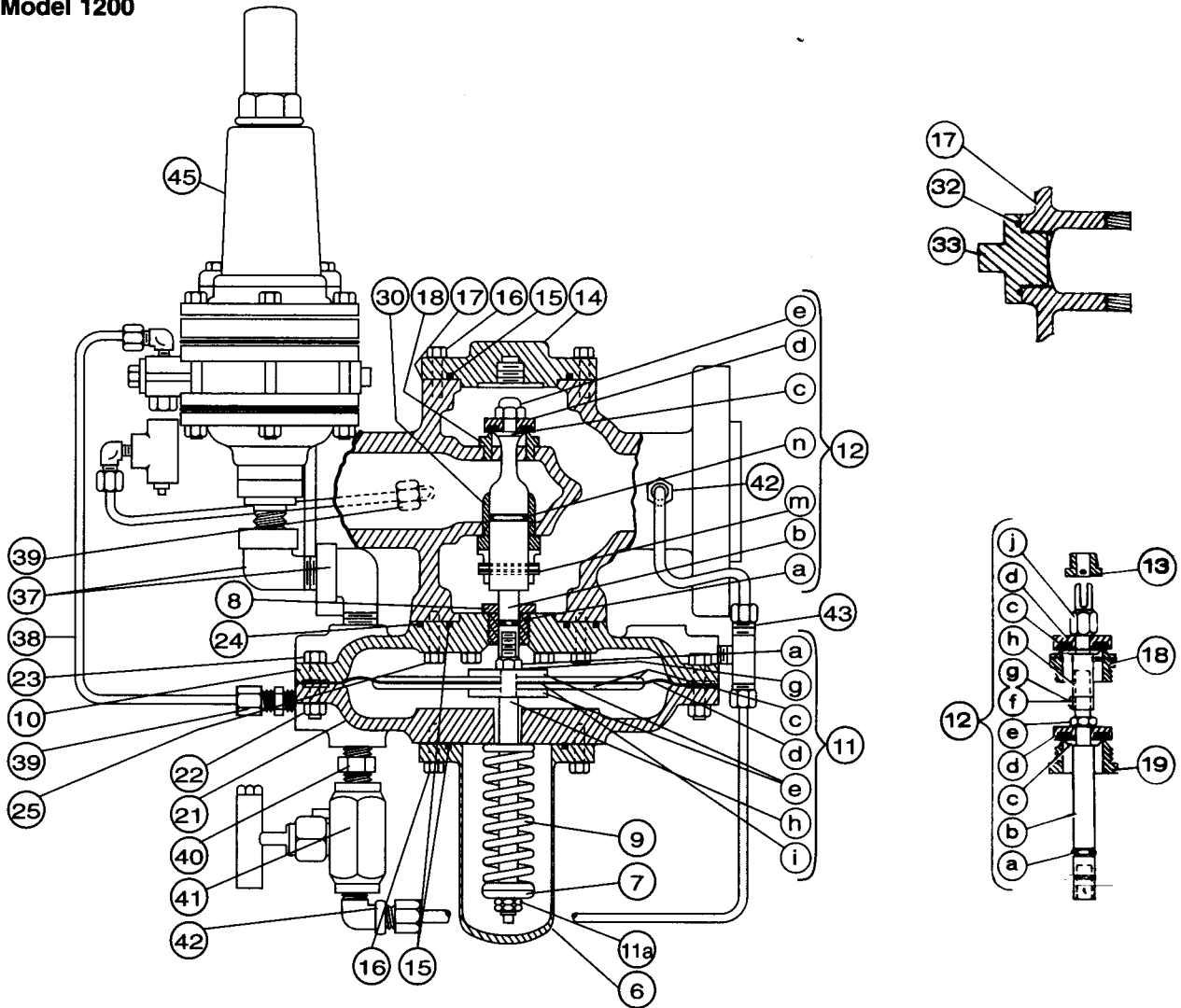




Regulator Parts List 2 Inch Model 1200

2 Inch Model 1200



ILL. NO.	DESCRIPTION	PART NUMBER
6	Spring Housing	091-86-006-11
7	Spring Button	091-16-009-01
8	Guide Bushing, Stainless	091-16-073-00
9	Spring, Orange	090-16-021-10
10	Diaphragm Case, Body Side	091-86-002-08
11	11a Hex Steel Nut, 3/8" - 16	903907
	11c Diaphragm Plate	091-86-010-00
	*11d Diaphragm	091-86-150-01
	11e Spacer Ring	091-86-038-00
	11g Split Lockwasher 3/8"	932527
	11h Diaphragm Stem	091-86-058-01
	11i Diaphragm Seal Gasket	014-76-179-04
12	1" Double Seat Valve Assembly, stainless trim, Red Polyurethane	091-16-515-13
	1" Double Seat Valve Assembly, stainless trim, Nylon	091-16-515-21
	1 1/16" Double Seat Valve Assembly, stainless trim, Red Polyurethane	091-16-515-12
	1" Single Seat Valve Assembly, stainless trim, Red Polyurethane	091-16-515-51

ILL. NO.	DESCRIPTION	PART NUMBER
12	1 1/16" Single Seat Valve Assembly, stainless trim, Red Polyurethane	091-16-515-50
	*12a O-Ring 3/8" x 1/2"	934007
	12b Male Valve Stem, 5 1/16" lg. stainless, 1" & 1 1/16" double seat assembly	091-16-116-00
	Valve Stem, stainless for, 1" single seat assembly	091-00-016-07
	Valve Stem, stainless for 1 1/16" single seat assembly	091-00-016-06
	12c Valve Retainer, stainless, for 1" single or double seat assembly, 1 or 2 used	091-16-018-01
	Valve Retainer, stainless, for 1 1/16" single or double seat assembly, 1 or 2 used	091-16-018-00
	*12d Molded Valve, Polyurethane (red, 65-75 Duro), for 1" double seat all trim	091-16-315-11

*Minimum recommended spare parts

Copyright 1999, Equimeter

ILL. NO.	DESCRIPTION	PART NUMBER
12	Molded Valve, Polyurethane (red, 65-75 Duro), for 1/16" double seat all trim	091-16-315-10
	Molded Valve, Polyurethane (tan, 85-95 Duro), for 1" double seat all trim	091-16-315-15
	Molded Valve, Polyurethane (tan, 85-95 Duro), for 1/16" double seat all trim	091-16-315-14
	Molded Valve, Viton (65-75 Duro, stamped V), for 1" double seat all trim	091-16-315-13
	Molded Valve, Viton (65-75 Duro, stamped V), for 1/16" double seat all trim	091-16-315-12
	Molded Valve, Polyurethane (red, 65-75 Duro), for 1" single seat	091-16-315-51
	Molded Valve, Polyurethane (red, 65-75 Duro), for 1/16" single seat	091-16-315-50
	Molded Valve, Polyurethane (tan, 85-95 Duro), for 1" single seat	091-16-315-60
	Molded Valve, Polyurethane (tan, 85-95 Duro), for 1/16" single seat	091-16-315-59
	Molded Valve, Viton (65-75 Duro, stamped V), for 1" single seat	091-16-315-58
	Molded Valve, Viton (65-75 Duro, stamped V), for 1/16" single seat	091-16-315-57
	12e Valve Locknut, stainless, for double seat assembly	091-16-102-01
	Valve Locknut, 3/8" -24 Crown Nylok for single seat assembly	093936
	12f Valve Stem Locking Ring, stainless, for double seat assembly	091-16-043-01
	12g Set Screw, #12-24 x 1/4" lg. slotted headless cup point	907694
	12h Female Valve Stem, stainless, for double seat assembly	091-16-016-03
	12j Valve Guide, stainless for double seat assembly	091-16-012-02
	12m Roll Pin, 1/4" x 1 1/2" lg., for single seat assembly	901707
	*12n O-Ring, 3/4" x 1", for 1" single seat assembly	934015
O-Ring, 9/16" x 3/4", for 1/16" single seat assembly		934011
13 Guide Bushing, stainless with pin	091-16-385-03	
14 Top Inspection Plate, steel	091-16-004-02	
15 *Tetraseal (or O-Ring), 2 3/4" x 3"	904079	
16 Hex Cap Screw, 5/16"-18 x 1" lg., 120,000 Tensile	910030	

ILL. NO.	DESCRIPTION	PART NUMBER
17	FOLLOWING BODY USES SCREWED DUCTILE IRON SIDE INSPECTION PLATE Body, Flanged, ASA 250 lb. RF, Ductile Iron	091-16-001-18
	FOLLOWING BODIES USE SCREWED STEEL SIDE INSPECTION PLATE Body, Flanged, ASA 300 lb. RF, Cast Steel	091-16-001-06
	Body, Flanged, ASA 600 lb. RF, Cast Steel	091-16-001-01
18	*Outlet Orifice, 1" stainless	091-16-029-05
	*Outlet Orifice, 1/16" stainless	091-16-029-04
19	*Inlet Orifice, 1" stainless	091-16-028-05
	*Inlet Orifice, 1/16" stainless	091-16-028-04
21	Diaphragm Case, Spring Side	091-86-003-01
22	Hex Steel Nut, 1/2"-13	903940
	Hex Steel Nut, 3/8"-16	903907
23	Hex Cap Screw, 1/2"-13 x 1 1/2" lg., 120,000 tensile (14 ea)	910107
	Hex Cap Screw, 1/2"-13 x 4" lg., 120,000 tensile (2 ea)	910117
	Hex Cap Screw, 3/8"-16 x 1 1/4" lg., 120,000 tensile (for regulators built before 1969)	910056
24	*Tetraseal (or O-Ring), 4 3/8" x 5 5/8"	904085
25	Hex Cap Screw, 5/16"-18 x 1 1/4" lg., 120,000 tensile	910031
30	Valve Stem Guide, stainless, 1/16" single seat assembly	091-16-012-52
	Valve Stem Guide, stainless, 1" single seat assembly	091-16-012-53
32	*Tetraseal (or O-Ring), 1 1/2" x 1 3/4"	904086
33	Screwed Steel Side Inspection Plate	091-16-072-01
37	1/2" NPT Steel Street E I, 3000 lb. stl.	927153
38	1/2" O.D. x .035 wall J.I.C. Hyd. Std. Resistance Welded Steel Tubing, price per ft.	750447
39	1/4" NPT x 1/4" Tube, Imperial Brass E I, #89 lb.	903987
40	1/4" NPT Hex Nipple	904765
41	1/4" NPT Valve	950710
42	1/4" NPT x 1/4" Tube, Imperial Connector, #88 lb.	903971
43	Male Branch Tee, Weatherhead #8605 x 4 x 4 x 4	904281
45	Type 511 Pilot, see RP 1370-1 Type 521 Pilot, see RP 1370-2 Type 53 Pilot, see RP 1370-2	
47	Nameplate (not shown)	091-16-086-00
49	Rd. Hd. Type U Drive Screw, #4 x 3/16" lg. (not shown)	903004

*Minimum recommended spare parts