



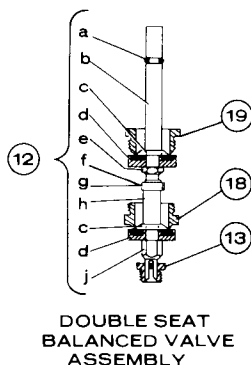
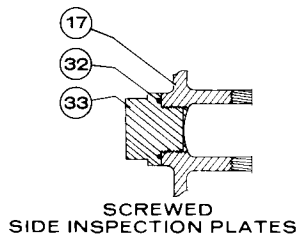
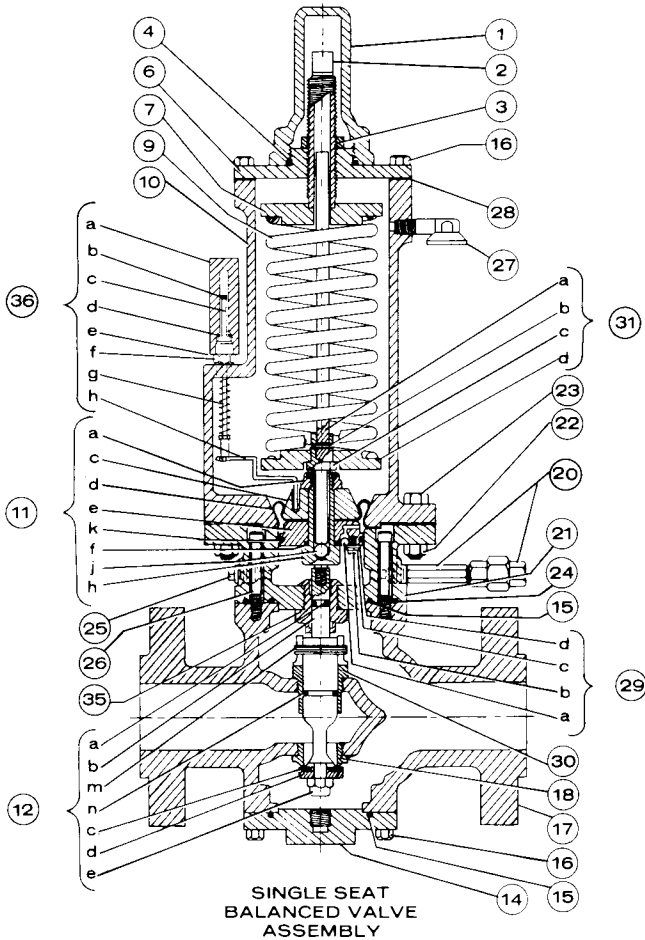
Parts List
Model 461-X57 Regulators

Parts List
MODEL 461-X57
Regulators

ILL. NO.	DESCRIPTION	PART NUMBER
1	Seal Cap	090-00-005-02
2	Spring Adjusting Screw	091-00-007-50
3	Hex. Steel Jam Nut, 7/8"-14	922233
4	Tetraseal (or O-Ring), 1 3/4" x 2"	904092
6	Housing cover-ductile	091-16-380-01
7	Top Spring Button	091-00-009-50
9	Spring-Black 150 to 250 psi	091-00-021-00
	Spring-Brown 100 to 175 psi	091-00-021-01
	Spring-Red 75 to 100 psi	091-00-021-02
10	Upper Diaphragm Case	091-00-003-50
11	Diaphragm Assembly	
	11a Elastic Stop Nut 3/4"-16 (#52NTE-126)	903958
	11c Diaphragm Plate-Upper	091-00-010-50
	11d Diaphragm-2 1/2" Roll-Out	091-00-350-50
	11e Diaphragm Plate-Lever	091-00-022-50
	11f O-Ring, 3/4" x 7/8"	906611
	11h Diaphragm Stud-Stainless	091-00-058-50
	11j Thrust Bearing Stainless Steel Ball 3/8" Dia.	930510
	11k O-Ring, 2 1/8" x 2 1/2"	934033
12	1" Single Seat Valve Assembly-stainless trim, Red Polyurethane	091-16-515-51
	1" Single Seat Valve Assembly-stainless trim, Nylon	091-16-515-61
	1 1/16" Single Seat Valve Assembly-stainless trim, Red Polyurethane	091-16-515-50
	1 1/16" Single Seat Valve Assembly-stainless trim, Nylon	091-16-515-60
	1" Double Seat Valve Assembly-stainless trim, Buna-N	091-16-515-03
	1" Double Seat Valve Assembly-stainless trim, Red Polyurethane	091-16-515-13
	1" Double Seat Valve Assembly-stainless trim, Nylon	091-16-515-21
	1 1/16" Double Seat Valve Assembly-stainless trim, Buna-N	091-16-515-02
	1 1/16" Double Seat Valve Assembly-stainless trim, Red Polyurethane	091-16-515-12
	1 1/16" Double Seat Valve Assembly-stainless trim, Nylon	091-16-515-20
	12a O-Ring, 3/8" x 1/2"	934007
	12b Valve Stem-stainless, for 1" single seat assembly	091-00-016-07
	Valve Stem-stainless, for 1 1/16" single seat assembly	091-00-016-06
	Male Valve Stem, 5 1/16" Lg.-stainless, for 1" & 1 1/16" double seat assembly	091-16-116-00
	12c Valve Retainer-stainless, for 1" single or double seat (1 or 2 used)	091-16-018-01
	Valve Retainer-stainless, for 1 1/16" single or double seat (1 or 2 used)	091-16-018-00
	12d Molded Valve, Polyurethane (red, 65-75 Duro), for 1" double seat all trim	091-16-315-11
	Molded Valve, Polyurethane (red 65-75 Duro), for 1 1/16" double seat all trim	091-16-315-10
	Molded Valve Polyurethane (tan 85-95 Duro), for 1" double seat all trim	091-16-315-15

ILL. NO.	DESCRIPTION	PART NUMBER
	Molded Valve Polyurethane (tan 85-95 Duro), for 1 1/16" double seat all trim	091-16-315-14
	Molded Valve, Viton (65-75 Duro, stamped V), for 1" double seat all trim	091-16-315-13
	Molded Valve, Viton (65-75 Duro, stamped V), for 1 1/16" double seat all trim	091-16-315-12
	Molded Valve, Polyurethane (red 65-75 Duro), for 1" single seat	091-16-315-51
	Molded Valve, Polyurethane (red 65-75 Duro), for 1 1/16" single seat	091-16-315-50
	Molded Valve, Polyurethane (tan, 85-95 Duro), for 1" single seat	091-16-315-60
	Molded Valve, Polyurethane (tan, 85-95 Duro), for 1 1/16" single seat	091-16-315-59
	Molded Valve, Viton (65-75 Duro, stamped V), for 1" single seat	091-16-315-58
	Molded Valve, Viton (65-75 Duro, stamped V), for 1 1/16" single seat	091-16-315-57
	Stainless Valve-Nylon disc, for 1" single seat (1 used)	091-16-315-52
	Stainless Valve-Nylon disc, for 1 1/16" single seat (1 used)	091-16-315-02
	Stainless Valve-Nylon disc, for 1" double seat (2 used)	091-16-315-04
	Stainless Valve-Nylon disc, for 1 1/16" double seat (2 used)	091-16-315-03
12e	Valve Locknut-3/8-24 Crown Nylok, for single seat assembly	903936
	Valve Locknut-stainless, for double seat assembly	091-16-102-01
12f	Valve Stem Locking Ring-stainless, for double seat assembly	091-16-043-01
12g	Hex soc cup pt. #12-24 x 1/4" Lg.	907694
12h	Female Valve Stem-stainless for double seat assembly	091-16-016-03
12j	Valve Guide-stainless, for double seat assembly	091-16-012-02
12m	Rollpin-1/4" x 1 1/2" Lg.-for single seat assembly	901707
12n	O-Ring, 3/16" x 3/4", for 1 1/16" single seat assembly	934011
	O-Ring 3/4" x 1" for 1" single seat assembly	934015
13	Guide Bushing-stainless, with pin	091-16-385-03
14	Bottom Inspection Plate-steel	091-16-004-02
15	Tetraseal (or O-Ring), 2 3/4" x 3"	904079
16	Hex Cap Screw-120,000# Tensile, 5/16"-18 x 1" Lg. (16 used)	910030
17	Following body uses screwed ductile iron side inspection plate	

Minimum recommended spare parts.



ILL. NO.	DESCRIPTION	PART NUMBER
	Body, Flanged ANSI 250 lb. RF, ductile iron	091-16-001-18
	Following bodies use screwed steel side inspection plate	
	Body, Flanged ANSI 300 lb. RF, cast steel	091-16-001-06
	Body, Flanged ANSI 600 lb. RF, cast steel	091-16-001-01
18	Outlet Orifice-1" stainless	091-16-029-05
	Outlet Orifice-1 1/16" stainless	091-16-029-04
19	Inlet Orifice-1" stainless	091-16-028-05
	Inlet Orifice-1 1/16" stainless	091-16-028-04
20	Nipple, Orifice Plug and Union Assembly	091-00-361-01
21	Lower Diaphragm Case	091-00-002-51
22	Hex Steel Nut 3/8"-16, 120,000# Tensile	920853
23	Hex Steel Bolt 3/8"-16 x 1 3/4" Lg. (8) 120,000# Tensile	910058
24	Tetraseal (or O-Ring), 4 3/8" x 4 5/8"	904085
25	1/4" Sq. Hd. Steel Pipe Plug	906053
26	Soc. Hd. Cap Screw 120,000# Tensile 5/16"-18 x 2 1/4" Lg. (8 used)	939110
27	Vent Cap-1/4"	137-02-505-02
28	Housing Cover Gasket	091-00-066-30
29	29a Stainless Stl. Ball 1/4" Dia. 29b Soc Hd. Cap Screw #10-24 x 3/8" Lg. 29c #10 Steel Lockwasher 29d Washer (Ball Retaining)	930506 939900 904012 09016-178-0100
30	Valve Stem Guide--stainless, 1 1/16" single seat assembly Valve Stem Guide--stainless, 1" single seat assembly	091-16-012-52 091-16-012-53
31	Spring Thrust Assembly 31a Spring Thrust Rod (Upper) 31b Type 2 Groov Pin 1/8" x 9/16" Lg. 31c Spring Thrust Rod (Lower) 31d Lower Spring Button	091-00-358-00 091-00-062-50 904118 091-00-158-50 091-00-009-51
32	Tetraseal (or O-Ring), 1 1/2" x 1 3/4"	904086
33	Screwed Ductile Side Inspection Plate Screwed Steel Side Inspection Plate	091-16-072-04 091-16-072-01
35	Guide Bushing--Assembly (S.S.)	091-16-373-00
36	Travel Indicator Assembly 36a Indicator Rod Assembly 36b Tube Cap 36c Window 36d O-Ring 36e L'washer 36f Hyd Conn 1/4" x 1/4" 36g Spring 36h Bracket	091-00-365-81000 091-00-365-07095 950188 09100-174-76000 950071 950078 903984 09100-021-50000 09100-170-5100
46	X-57 Diaphragm Assembly complete--all parts above body to convert a 461 type regulator to 461-X57	091-00-502-00
47	Nameplate (not shown)	091-16-086-00
48	Nameplate (not shown)	090-00-086-04
49	Rd. Hd. Type "U" Drive Screw--#4 x 3/16" Lg. (not shown)	903004
50	Socket Wrench (not shown)-1 1/2" hex. deep--for parts 18, 19, 30	091-16-328-00

☐ Minimum recommended spare parts.



805 Liberty Boulevard

P.O. Box 528

DuBois, PA 15801

814-375-8875

Fax 814-375-8460

Authorized Distributor

All products purchased and services performed are subject to Sensus' terms of sale, available at either; <http://na.sensus.com/TC/TermsConditions.pdf> or 1-800-METER-IT. Sensus reserves the right to modify these terms and conditions in its own discretion without notice to the customer.

This document is for informational purposes only, and SENSUS MAKES NO EXPRESS WARRANTIES IN THIS DOCUMENT. FURTHERMORE, THERE ARE NO IMPLIED WARRANTIES, INCLUDING WITHOUT LIMITATION, WARRANTIES AS TO FITNESS FOR A PARTICULAR PURPOSE AND MERCHANTABILITY. ANY USE OF THE PRODUCTS THAT IS NOT SPECIFICALLY PERMITTED HEREIN IS PROHIBITED.