



Parts List
12" Model T-140 and T-230
Mark II Turbo-Meter
with Blade Tip Sensors

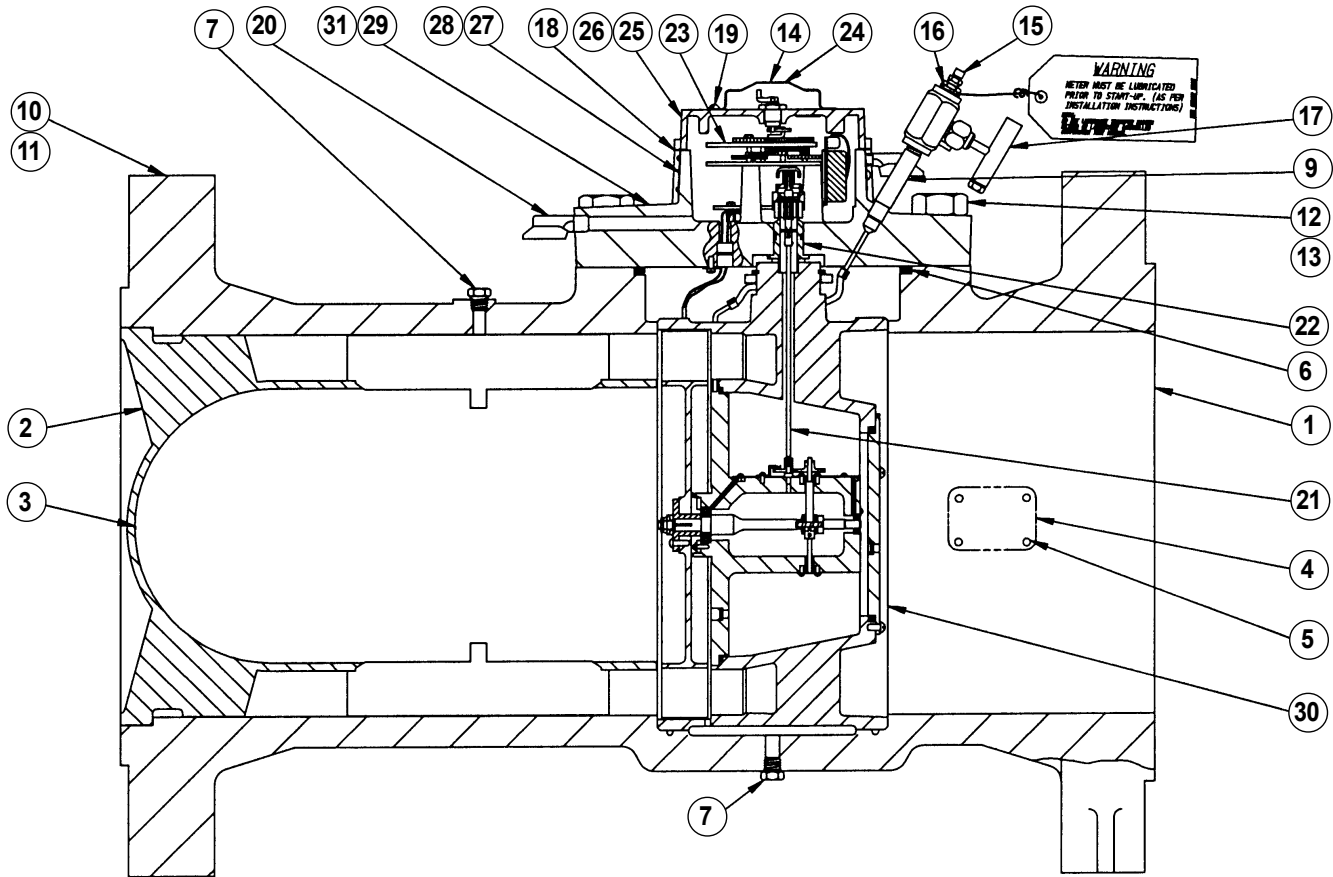
Parts List
12" MODEL T-140 and T-230
Mark II Turbo-Meters
with Blade Tip Sensors

Working Pressures:
220, 720, 1440 psig

NOTE: This parts list applies to Mark II Turbo-Meters with Blade Tip Sensors only. To identify parts for non-blade tip units, refer to Invensys Metering Systems Bulletin MP-1070D.

SENSUS

12" Model T-140 and T-230 Mark II Turbo-Meters with Blade Tip Sensor



GENERAL ASSEMBLY

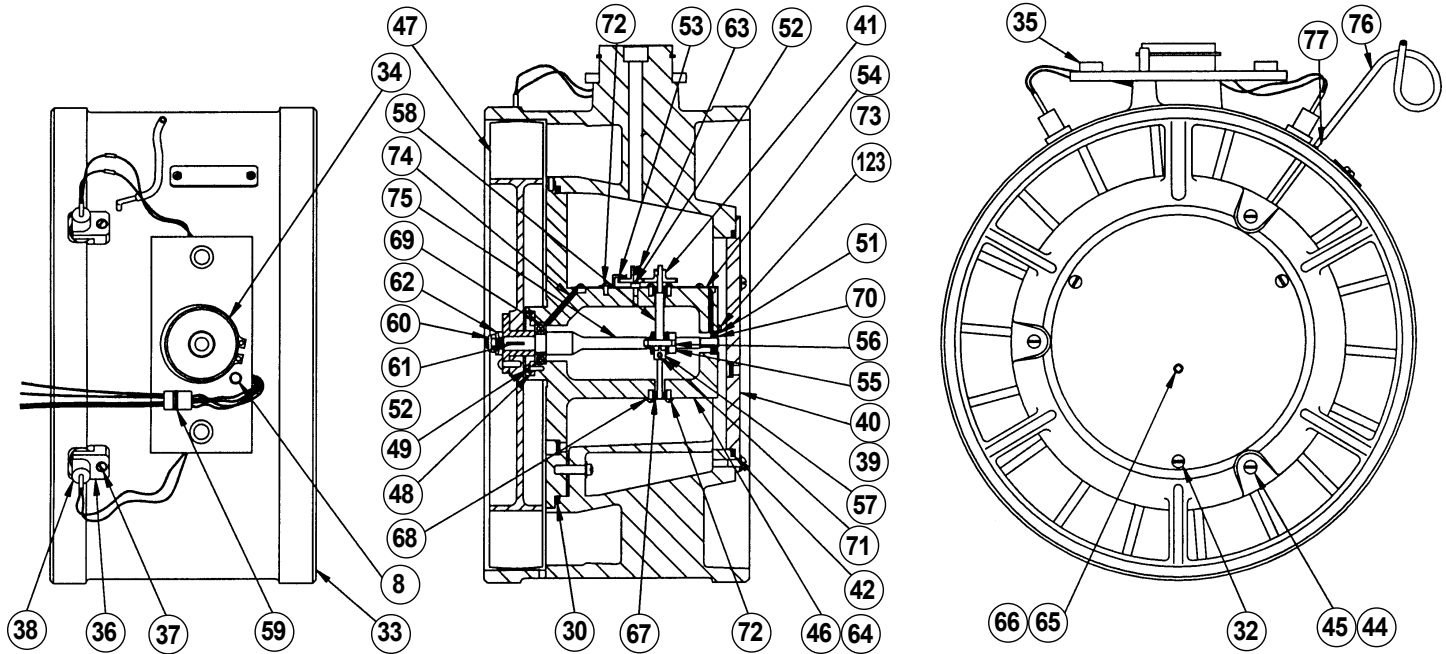
NOTE: "HP" designates 275, 720, and 1440 working pressures.

ILL NO.	QTY REQ'D.	PART DESCRIPTION	PART NUMBER
1	1	Body Assembly, Cast Steel, 220# with Badges Less Nosecone	00631-611-00
		Body Assembly, Cast Steel 720# with Badges Less Nosecone	00631-611-50
		Body Assembly, Cast steel 1440# with Badges Less Nosecone	00631-611-80
		Body Assembly, Cast Steel 1440# with Ring Joint Flanges and Badges Less Nosecone	00631-611-81
2	1	Nosecone w/Straightening Vanes	00631-305-01
3	3	#8-32 x 1/4 Lg Sta Stl Soc Set Scr	904713
4	1	Body Badge 220# T-140	00631-073-01555
		Body Badge 720# T-140	00631-073-50555
		Body Badge 1440# T-140	00631-073-80555
		Body Badge 220# T-230	00651-073-01555
		Body Badge 720# T-230	00651-073-50555
5	4	#4 x 3/16 Lg Brass Drive Screw	903004
*6	1	O-Ring Top PL to Body Buna	950192
		O-Ring Top PL to Body Viton	950256
7	2	Steel Pipe Plug 1/4-18 NPT	906055

ILL NO.	QTY REQ'D.	PART DESCRIPTION	PART NUMBER
8	1	1/4" x 1-1/4 Lg Dowel Pin	950214
9	1	1/4 Steel Nipple	950760
10	1	Inlet Badge	01516-090-02
11	2	#2 x 1/8 Lg Brass Drive Screw	903003
12	13	5/8-11 x 2" Lg Hex Hd Screw 220#	910159
		1"-8 x 2-3/4 Lg Hex Hd Scr 1440#	906540
13	1	5/8-11 x 2" Lg Hex Seal Scr 220#	00631-057-00
		1"-8 x 2-3/4 Lg Hex Seal Scr 1440#	00631-057-80
14	1	Stuffing Box Cover	22516-131-01
15	1	Lubrication Fitting	00624-145-00
16	1	Hex Pipe Bushing	950195
17	1	1/4" Oil Valve	950710
18	1	Index Plate Gasket	00624-160-03
19	2	#8-32 x 3/16 Lg Rnd Hd Scr	914450
20	2	Vent Cap	00624-505-01
21	1	Coupling Shaft 220#	00631-345-00
		Coupling Shaft 720/1440#	00631-345-80
22	1	Magnet Well And Post Assy 220#	00631-244-00
		Magnet Well And Post Assy 720/1440#	00631-244-80

*Recommended Spare Parts

12" Model T-140 and T-230 Mark II Turbo-Meter with Blade Tip Sensor



COMPLETE INTERNAL HOUSING

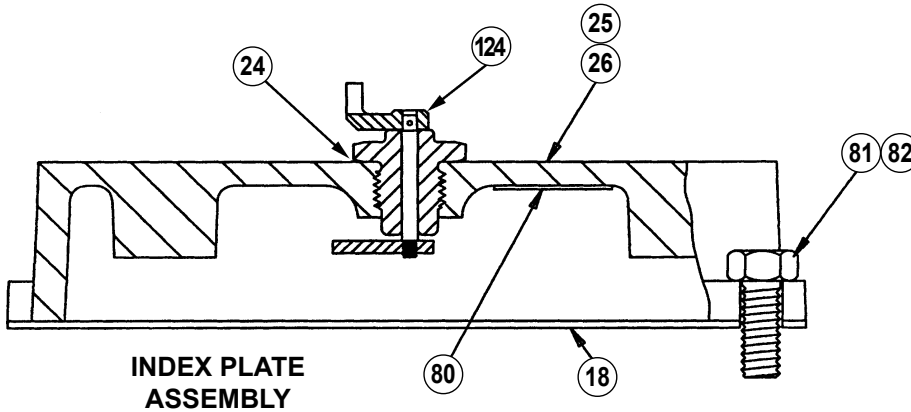
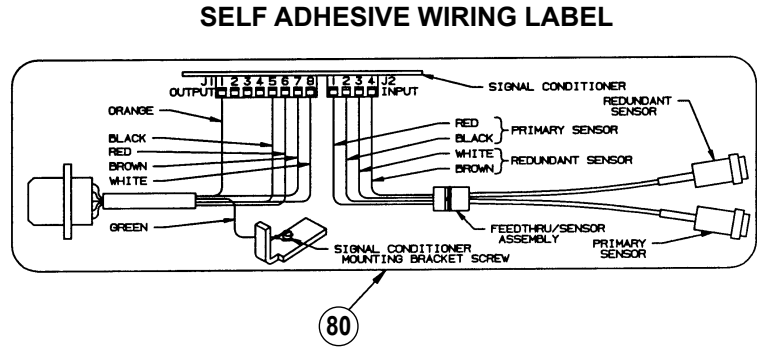
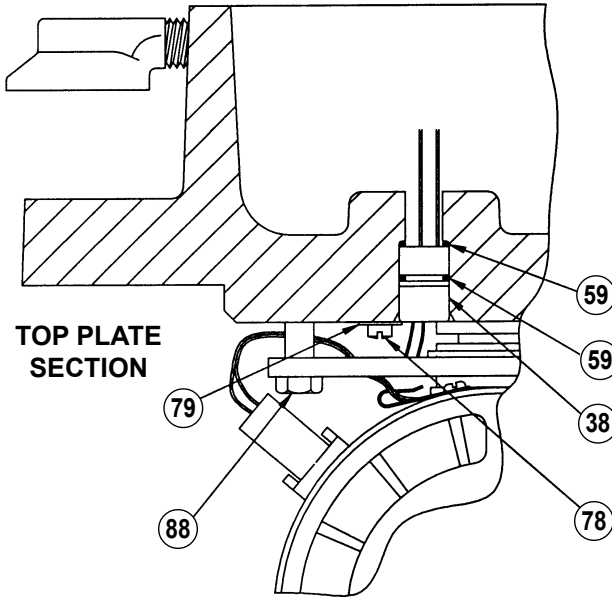
ILL NO.	QTY REQ'D.	PART DESCRIPTION	PART NUMBER
*23	1	Intermediate Gear Assy 1000 CF/REV	00624-212-41
		Intermediate Gear Assy 100 CuM/REV	00624-212-40
24	1	Index Shaft Gland	00624-023-01
25	1	Index Plate Assembly w/Slot Sensor	00624-504-23
		Index Plate Assembly w/o Slot Sensor	00624-504-21
26	1	Index Plate w/Slot Sensor	00624-004-23
		Index Plate w/o Slot Sensor	00624-004-21
27	1	Internal Mech Badge T-140	00631-073-11555
		Internal Mech Badge T-230	00661-073-25555
28	4	0 x 1/8 Lg Rnd Hd Brass Drive Screw	903001
29	1	Top Plate Assembly 220# WP	00631-303-09
		Top Plate Assembly 720# WP	00631-303-88
		Top Plate Assembly 1440# WP	00631-303-88
30	1	Comp Intl Hsg Assy T-140 Buna	00631-302-13
		Comp Intl Hsg Assy T-230 Buna	00661-302-13
		Comp Intl Hsg Assy T-140 Viton	00631-302-15
		Comp Intl Hsg Assy T-230 Viton	00661-302-15
31	1	Measuring Module - All Pressures T-140 and T-230 Buna or Viton Seals	Contact Invensys Sales Representative
32	3	#10-24 x 3/8 Lg Sta Stl Rnd Hd Scr	903448
33	1	Internal Housing Single BTS	00631-002-07
		Internal Housing Dual BTS	00631-002-05
34	1	Retaining Ring	927448
35	1	Adapter Plate and Bushing Assembly	00631-262-00
36	A/R	Sensor Coil Retainer	00651-040-02
37	A/R	#8-32 x 3/8 Lg Sta Stl Fil Hd Scr	903371
38	1	Sensor Coil Feedthru Assembly Buna	951253
		Sensor Coil Feedthru Assembly Viton	00632-317-03
39	1	Internal Housing Plate Assembly Includes 40, 65, 66	00631-210-01

ILL NO.	QTY REQ'D.	PART DESCRIPTION	PART NUMBER
40	1	Internal Housing Plate	00631-010-02
41	1	44 Tooth Gear	00631-344-44
*42	1	Seal Buna Hsg Plate	934334
		Seal Viton Hsg Plate	950551
*43	1	Seal Buna Brg Brkt	934345
		Seal Viton Brg Brkt	906893
44	3	#10-24 x 7/8 Lg Sta Stl Fil Hd Scr	903391
45	6	#10 Sta Stl Ext Tooth Lockwasher	904016
46	1	Bearing Bracket and Pin Assembly	00631-209-03
47	1	Rotor and Insert Assembly T-140	00631-250-03
		Rotor and Insert Assembly T-230	00661-250-02
48	1	Rotor End Bearing Retainer	00634-117-02
49	2	#4-40 x 3/8 Lg Sta Stl Fil Hd Scr	903340
50	2	#4 Lockwasher	950078
51	1	Outlet End Bearing Retainer	00632-117-01
52	1	Gear Post	00631-028-00
53	1	Gear Retainer	00624-080-00
54	1	Oil Reservoir Cover Plate	00631-079-00
55	1	Worm	00641-017-00
56	1	Wormwheel	00624-035-00
57	1	Wormwheel Collar	00624-070-02
58	1	Wormwheel Shaft	00631-046-00
59	1	O-Ring Buna Feedthru	946861
		O-Ring Viton Feedthru	902418
		O-Ring Viton Feedthru -40°	950774
60	1	Rotor Locknut	908661
61	1	Rotor Locking Pin	006-24-069-00
62	1	Spherical Washer Set	908723
63	1	44 Tooth Slotted Gear	00631-444-44
*64	1	Rotor, Bracket and Wormwheel Assy T-140	00631-309-01
		Rotor, Bracket and Wormwheel Assy T-230 Incl 46 thru 58, 60, 61, 62, 63, 65, thru 75	00661-309-01

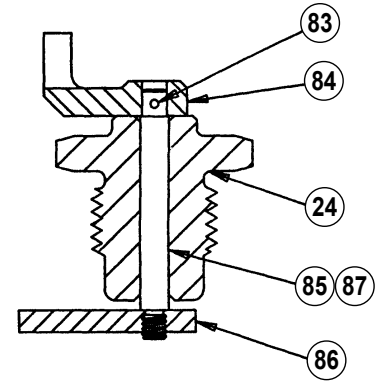
*Recommended Spare Parts

SENSUS

12" Model T-140 and T-230 Mark II Turbo-Meter with Blade Tip Sensor



INDEX SHAFT AND GLAND ASSEMBLY

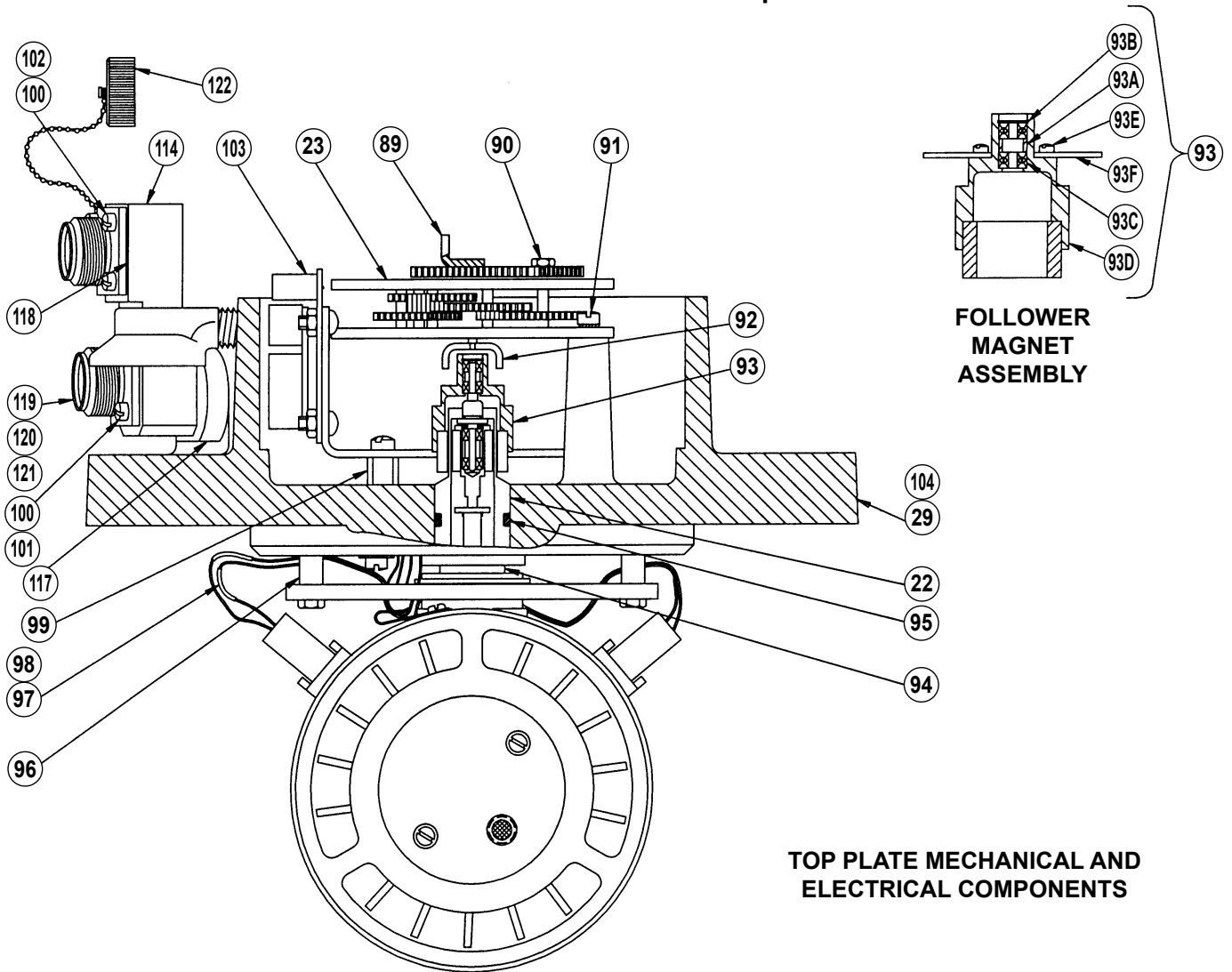


ILL NO.	QTY REQ'D.	PART DESCRIPTION	PART NUMBER
65	2	Filter Screen	00622-083-01
66	2	Filter Screen Retaining Ring	904419
67	2	Wormwheel Shaft Bearing	908660
68	2	Wormwheel Shaft Bearing Retainer	00622-117-01
69	1	Rotor End Rotor Shaft Bearing	950311
70	1	Outlet End Rotor Shaft Bearing	950306
71	5	6-32 x 5/32 Lg Set Screw	950375
72	5	4-40 x 1/4 Lg Sta Stl Rnd Hd Screw	903025
73	4	4-40 x 1/8 Lg Sta Stl Rnd Hd Screw	907401
74	2	Oiling Felt	1191430
75	1	Rotor Shaft	00631-024-02
76	A/R	Oil Tubing	99993

ILL NO.	QTY REQ'D.	PART DESCRIPTION	PART NUMBER
77	2	Compression Ring Oil Tubing	950682
78	1	#8-32 x 3/8 Lg Sta Stl Fil Hd Screw	903371
79	1	#8 Plain Sta Stl Washer	950448
80	1	Self Adhesive Wiring Label	00651-105-01
81	3	5/16-18 x 3/4 Lg Hex Cap Screw	910028
82	1	5/16-18 x 3/4 Lg Hex Seal Cap Screw	00265-057-02
83	1	Shear Pin	00624-056-00
84	1	Top Index Shaft Dog	00624-061-04
85	1	Index Shaft	00624-054-03
86	1	Bottom Index Shaft Dog	00624-071-00
87	1	Index Drive Shaft Assy Includes 83, 84, 85	00624-554-01
88	2	8-32 x 3/4 Lg Hex Hd Screw	906178

SENSUS

12" Model T-140 and T-230 Mark II Turbo-Meter with Blade Tip Sensor



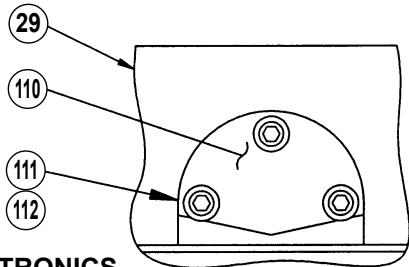
ILL NO.	QTY REQ'D.	PART DESCRIPTION	PART NUMBER
89	1	Intermediate Gear Output Dog	00266-071-03
90	1	#4-40 Sta Stl Hex Nut	907639
91	A/R	#8-32 x 3/8 Lg St Stl Fil Hd Scr	903371
92	1	Intermediate Gear Input Dog	00624-061-20
*93	1	Follower Magnet Assembly w/Slot Sensor Incl 93A, B, C, D, E, F	00624-313-22
		Follower Magnet Assembly w/o Slot Sensor Incl 93A, B, C, D	00624-313-20
93A	1	Spacer	00624-106-20
93B	1	Retaining Ring	904691
93C	2	Bearing	905462
93D	1	Magnet Holder w/Magnet	00624-213-20
		Magnet Holder w/Magnet w/Slot Sensor	00624-013-21
93E	2	3-48 x 1/8 Lg Sta Stl Fil Hd Scr	903337
93F	1	Slot Sensor Chopper Disc	00624-108-02

ILL NO.	QTY REQ'D.	PART DESCRIPTION	PART NUMBER
*94	1	Magnet Well Seal Buna	904214
		Magnet Well Seal Viton	906736
*95	1	Magnet Well O-Ring Buna	950193
		Magnet Well O-Ring Viton	908264
96	2	Bushing	00622-113-00
97	A/R	Solder	750155
98	A/R	Shrink Tube	800633
99	2	Standoff	951256
100	A/R	#8 Lockwasher	950371
101	4	#8-32 x 1-1/2 Lg St Stl Fil Hd Sc	919711
102	4	#8-32 x 1/4 Lg St Stl Rnd Hd Sc	903055
103	A/R	Dual Channel Signal Conditioner	951232
		Single Channel Signal Conditioner	951233
		Blank Top Plate 220#	00631-003-09
104	1	Blank Top Plate 720#/1440#	00631-003-88

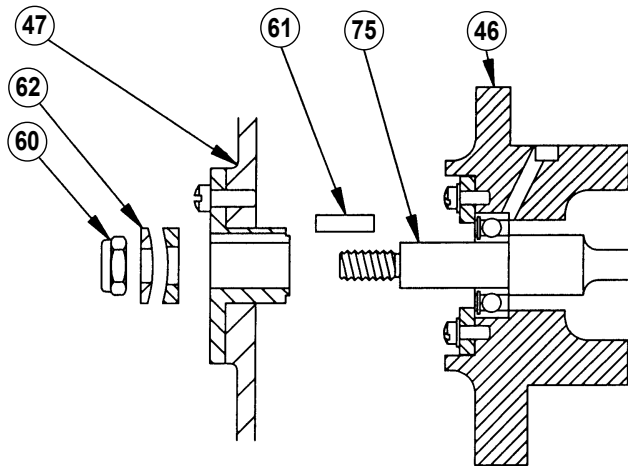
*Recommended Spare Parts

SENSUS

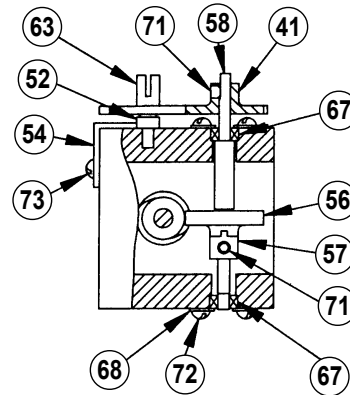
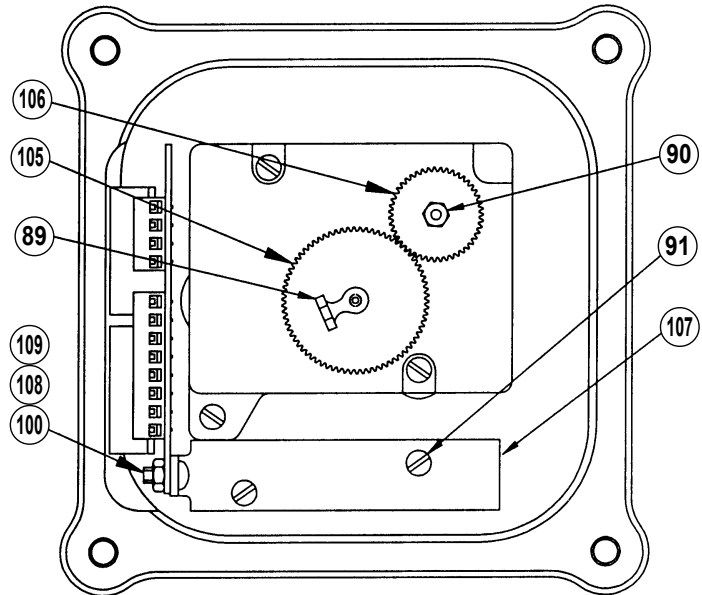
12" Model T-140 and T-230 Mark II Turbo-Meter with Blade Tip Sensor



ELECTRONICS CONNECTION HOLE CAP AND SCREWS

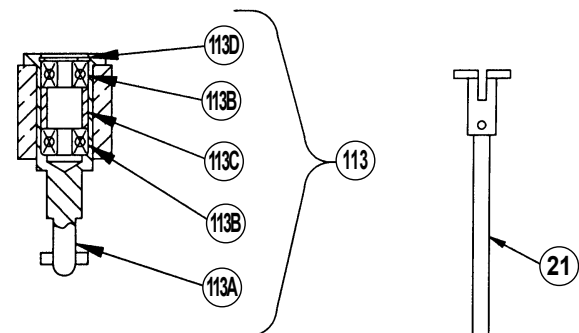


ROTOR TO SHAFT ASSEMBLY



ROTOR, BRACKET AND WORMWHEEL ASSEMBLY (VIEW FROM INLET END)

ILL NO.	QTY REQ'D.	PART DESCRIPTION	PART NUMBER
105	1	Large Change Gear XX = Gear Blank Diameter YY = No. of Teeth	00624-3XX-YY
106	1	Small Change Gear XX = Gear Blank Diameter YY = No. of Teeth	00624-3XX-YY
107	1	Signal Conditioner Mounting Brkt	00651-048-00
108	A/R	#8-32 x 3/8 Lg St Stl Pan Hd Scr	950839
109	A/R	#8-32 Sta Stl Hex Nut	903924
110	1	Probe Mounting Hole Cap	00624-129-00
111	3	1/4-20 x 5/8 Lg Sta Stl Soc Hd Cap Scr	908179
112	3	1/4 Sta Stl Lockwasher	904030
*113	1	Magnet Holder And Bearing Assembly Incl 113A, B, C, D	00631-334-00
113A	1	Magnet Holder And Groove Pin w/Magnet	00631-234-02
113B	2	Bearing	905462
113C	1	Spacer Ring	00622-106-03
113D	1	Retaining Ring	904691



DRIVER MAGNET HOLDER ASSEMBLY

COUPLING SHAFT

*Recommended Spare Parts



805 Liberty Boulevard

P.O. Box 528

DuBois, PA 15801

814-375-8875

Fax 814-375-8460

Authorized Distributor

All products purchased and services performed are subject to Sensus' terms of sale, available at either; <http://na.sensus.com/TC/TermsConditions.pdf> or 1-800-METER-IT. Sensus reserves the right to modify these terms and conditions in its own discretion without notice to the customer.

This document is for informational purposes only, and SENSUS MAKES NO EXPRESS WARRANTIES IN THIS DOCUMENT. FURTHERMORE, THERE ARE NO IMPLIED WARRANTIES, INCLUDING WITHOUT LIMITATION, WARRANTIES AS TO FITNESS FOR A PARTICULAR PURPOSE AND MERCHANTABILITY. ANY USE OF THE PRODUCTS THAT IS NOT SPECIFICALLY PERMITTED HEREIN IS PROHIBITED.