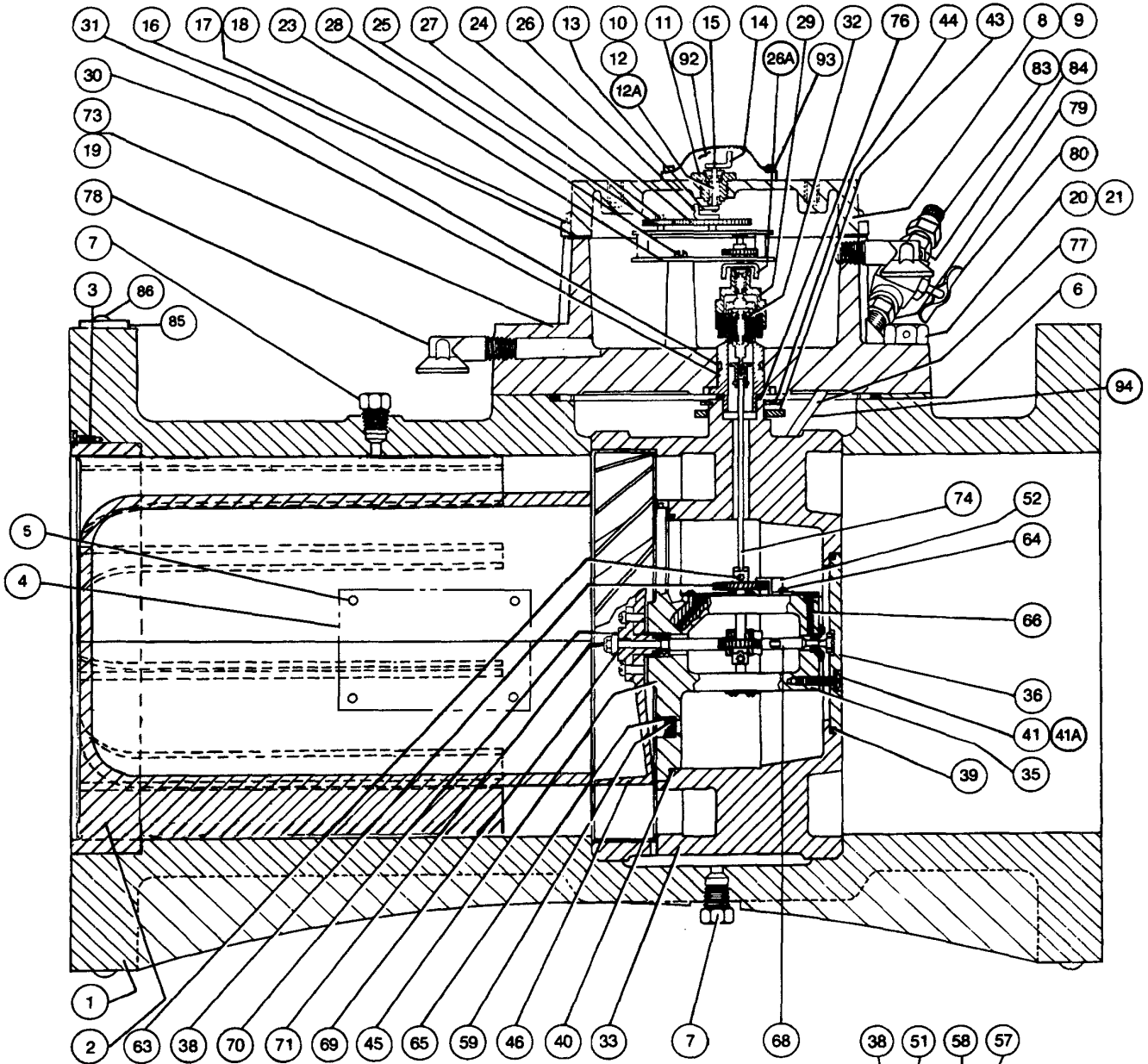




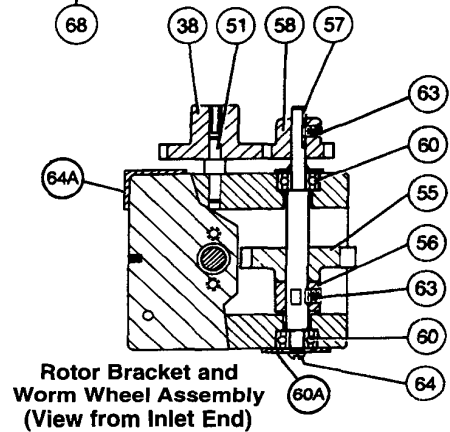
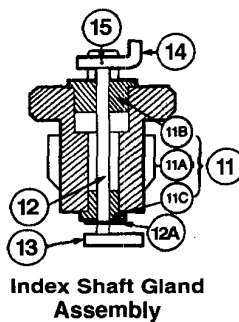
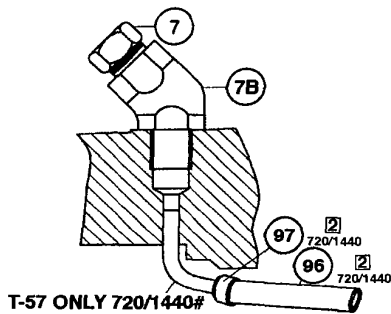
Parts List
6" Model T-35 / T-57
Mark II Turbo-Meter

Parts List
6" MODEL T-35/T-57
Mark II Turbo-Meter

Working Pressures:
175, 275, 720, 1440 psi



T-35/T-57 Mark II Turbo-Meter General Assembly





6" Model T-35/T-57 Mark II Turbo-Meter

NOTE: H.P. designates 275, 720 & 1440 W.P.s

ILLUSTRATION NUMBER	QUANTITY REQUIRED	PART DESCRIPTION	PART NUMBER	
1	1	Main Body Assembly, AL, 175# W.P. with Badges, Less Nose Cone	006-24-611-20	
		Main Body Assembly, C.S. 275# W.P. ANSI 150 with Badges, Less Nose Cone	006-24-611-21	
		Main Body Assembly, C.S. 720# W.P. ANSI 300 with Badges, Less Nose Cone	006-24-611-60	
		Main Body Assembly, C.S. 1440# W.P. ANSI 600 with Badges, Less Nose Cone	006-24-611-90	
		Main Body Assembly, C.S. 1440# W.P. ANSI 600 with R.J. Flanges, with Badges, Less Nose Cone	006-24-611-91	
2	1	Nose Cone with Straightening Vanes, 175# W.P. Molded	006-24-305-21	
		Nose Cone with Straightening Vanes, All H.P. Molded	006-24-305-91	
3	3	Nose Cone Retainer #8-32 x 3/8" Long Truss Head Stainless Steel Machine Screw	950426	
4	1	Manufacturer Nameplate, 175# W.P.	T-35	006-34-073-20555
			T-57	006-44-073-20555
		Manufacturer Nameplate, 275# W.P.	T-35	006-34-073-30555
			T-57	006-44-073-30555
		Manufacturer Nameplate, 720# W.P.	T-35	006-34-073-50555
			T-57	006-44-073-40555
		Manufacturer Nameplate, 1440# W.P.	T-35	006-34-073-80555
			T-57	006-44-073-50555
5	4	#4 x 3/16" Long Round Head Br. Dr. Screw	903004	
*6	1	Top Plate to Body, "O" Ring, 175# W.P., Buna-N	934346	
		Top Plate to Body, "O" Ring, 175# W.P., Viton-A (Optional)	906743	
		Top Plate to Body, "O" Ring, H.P., Buna-N	950190	
		Top Plate to Body, "O" Ring, H.P., Viton-A (Optional)	906744	
7	A/R	Steel Pipe Plug 1/4", -20°, All W.P.	906055	
7B	1	1/4" x 45° Street Ell. Stainless Steel, -20°, All H.P.	950762	
8	1	Index Plate Assembly (Includes Illustrations 9, 10, 11 & 13)	006-24-504-21	
9	1	Index Plate	006-24-004-21	
10	1	Index Drive Shaft Assembly (Includes Illustrations 12, 14 & 15)	006-24-554-01	
11	1	Index Shaft Gland Assembly (Includes Illustrations 11A-C)	006-24-323-00	
11A	1	Index Shaft Gland	006-24-023-00	
11B	1	Top Bushing	006-24-052-01	
11C	1	Bottom Bushing	001-60-052-62	
12	1	Index Shaft	006-24-054-02	
12A	1	Retaining Ring	950578	
13	1	Bottom Index Shaft Dog	006-24-071-00	
14	1	Top Index Shaft Dog	006-24-061-04	
*15	1	Shear Pin, Top Index Shaft Dog	006-24-056-00	
*16	1	Gasket, Index Plate to Top Plate	006-24-160-03	
17	3	Cap Screw, Index Plate to Top Plate, 5/16"-18 x 3/4" Long Hex Head Steel	910028	
18	1	Seal Screw, Index Plate to Top Plate, 5/16"-18 x 3/4" Long Hex Head Steel	002-65-057-02	
19	1	Top Plate Assembly, Aluminum, 175# W.P. (All Top Plates are Drilled for Saturable Core Pulse Generator and Include Oil Tubing)	006-24-303-21	
		Top Plate Assembly, ANSI 150, 275# W.P. Steel	006-24-303-34	
		Top Plate Assembly, ANSI 300 and 600, 720# & 1440# W.P. Steel	T-35	006-24-303-98
			T-57	006-54-303-98
20	7	Cap Screw, Top Plate to Body, 175# W.P., 1/2"-13 x 1-1/2", Hex Head Steel Gr. 5	910107	
	7	Cap Screw, Top Plate to Body, 275# W.P., 1/2"-13 x 1-3/8", Hex Head Steel Gr. 8	935647	
	13	Cap Screw, Top Plate to Body, 720# & 1440# W.P., 3/4"-10 x 2-1/2", Hex Head Steel Gr. 8	935680	

* Recommended Spare Parts

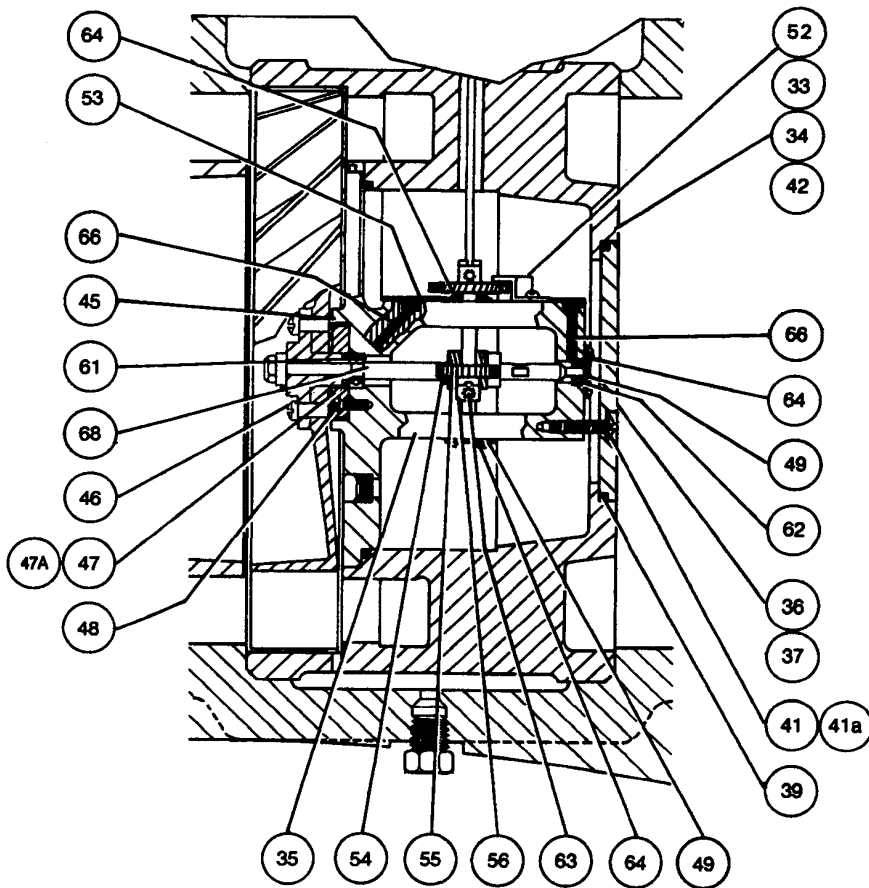


6" Model T-35/T-57 Mark II Turbo-Meter

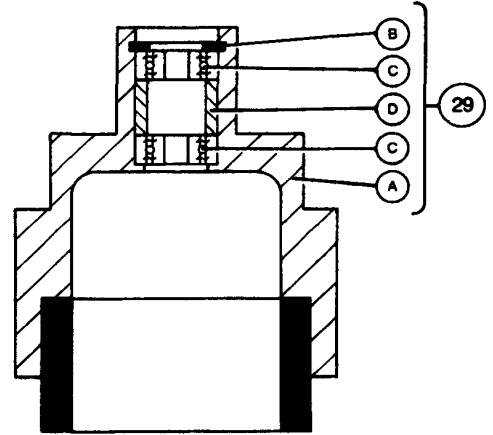
ILLUSTRATION NUMBER	QUANTITY REQUIRED	PART DESCRIPTION	PART NUMBER	
21	1	Seal Screw, Top Plate to Body, 175# W.P. 1/2"-13 x 1-1/2" Hex Head Steel Gr. 5	006-24-056-01	
		Seal Screw, Top Plate to Body, 275# W.P. 1/2"-13 x 1-3/8" Hex Head Steel Gr. 8	006-24-056-02	
		Seal Screw, Top Plate to Body, 720# & 1440# W.P. 3/4"-10 x 2-1/2" Hex Head Steel Gr. 8	006-24-057-91	
*23	1	Intermediate Gear Train, 100 CF/REV. Output	006-24-212-40	
		Intermediate Gear Train, 1000 CF/REV. Output	006-24-212-21	
		Intermediate Gear Train, 10.0 M ³ /REV. Output	006-24-212-22	
		Intermediate Gear Train, 1.0 M ³ /REV. Output	006-24-212-41	
24	1	Large Change Gear - NOTE: "xx" Refers to Gear Blank Size, "yy" Refers to Number of Gear Teeth Digits Must Be Substituted for Both "xx" & "yy" in Ordering. See Drawing SD-1034-C	006-24-3xx-yy	
25	1	Small Change Gear (See NOTE Above)	006-24-3xx-yy	
26	1	Intermediate Gear Output Dog (Top)	002-66-071-03	
26A	1	Intermediate Gear Driver Dog (Bottom)	006-24-061-20	
27	1	#4-40 Hex Stainless Steel Nut	907639	
28	3	#8-32 x 3/8" Long Fillister Head Stainless Steel Machine Screw	903371	
*29	1	Follower Magnet Assembly (Includes Magnet and Illustrations 29B - D)	006-24-313-20	
		Follower Magnet Assembly For Units w/Slot Sensor (Includes Magnet and Illustrations 29B-D)	006-24-313-22	
29B	1	Retaining Ring	904691	
29C	2	Bearing	905462	
29D	1	Spacer	006-24-106-20	
*30	1	Magnet Well & Post Assembly, 175# & 275# W.P.	006-24-244-20	
		Magnet Well & Post Assembly, 720# & 1440# W.P.	006-24-244-90	
*31	1	Magnet Well "O" Ring, Buna-N	950193	
		Magnet Well "O" Ring, Viton (Optional)	908264	
*32	1	Magnet Holder & Bearing Assembly (Includes Illustrations 32A-D)	006-31-334-00	
32A	1	Magnet Holder & Groove Pin Assembly (With Magnet)	006-31-234-02	
32B	1	Retaining Ring	904691	
32C	2	Bearing	905462	
32D	1	Spacer	006-22-106-03	
33	1	Complete Internal Housing Assembly, Calibrated with Change Gears, All Pressures. (Includes Illustrations 34, 35, 36, 39, 40, 41 & 77) With Viton Seals	T-35 LP	006-24-302-22
			T-35 HP	006-24-302-98
			T-57 LP	006-54-302-22
			T-57 275#	006-54-302-70
		As Above, With Buna-N Seals	T-57 720/1440# **	006-54-302-98
			T-35 LP	006-24-302-23
			T-35 HP	006-24-302-99
			T-57 LP	006-54-302-23
	T-57 275#	006-54-302-71		
	T-57 720/1440# **	006-54-302-99		
34	1	Internal Housing & Adapter Plate Assembly, All Pressures (Includes Illustrations 42, 43 & 44)	006-24-202-21	
*35	1	Rotor Bracket & Worm Wheel Assembly (Includes Illustration 38 plus 45, 46, 47, 47A, 48, 49, 51-71)	T-35	006-24-309-26
			T-57	006-54-309-26
36	1	Internal Housing Plate Assembly (Includes Illustrations 37, 59 & 65)	006-24-210-20	
37	1	Internal Housing Plate	006-24-010-21	
38	1	Drive Gear	29T, T-35	006-24-429-29
			21T, T-57	006-54-429-21
*39	1	Seal, Buna-N	1191301	
		Seal, Viton (Optional)	906962	
*40	1	Seal, Buna-N	1191302	
		Seal, Viton (Optional)	906963	
41	2	#10-24 x 3/4" Round Head Stainless Steel Machine Screw	905549	
41A	2	Lockwasher, Ext. 3/16" Steel	904016	
42	1	Internal Housing (With Oil Tubing)	006-24-002-21	
43	1	Adapter Plate & Bushing Assembly	006-22-262-01	
44	1	Retaining Ring	904435	
45	1	Bearing Bracket & Pin Assembly	006-24-209-23	
46	1	Rotor & Insert Assembly, All Pressures	T-35	006-24-250-91
			T-57	006-54-250-91
47	1	Upstream Bearing Retainer	006-24-117-22	
47A	2	Lockwasher	950078	

* Recommended Spare Parts

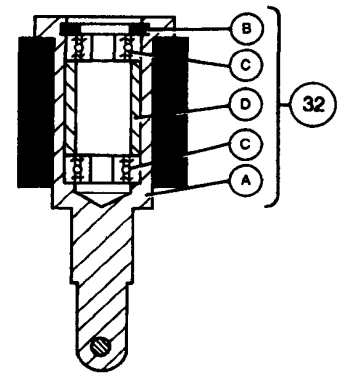
** T-57, 720/1440# - 302 - Assy's Include Items 96 & 97.



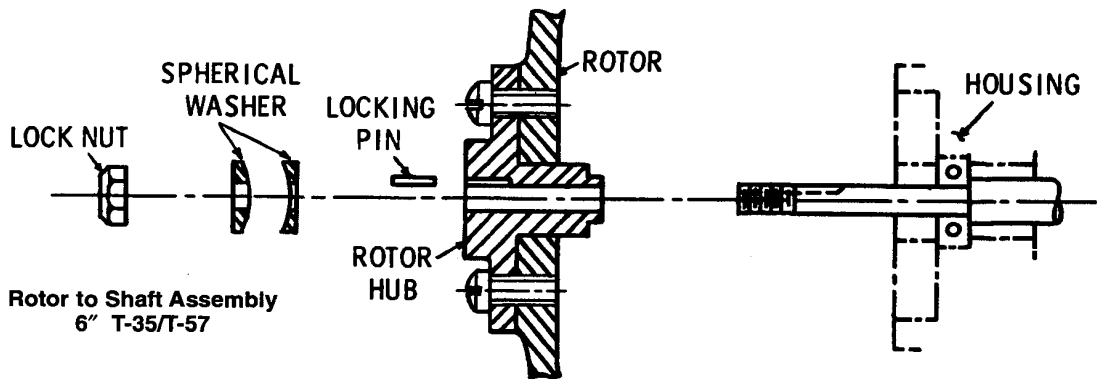
Rotor, Bracket and Internal Housing Assembly



Follower Magnet and Bearing Assembly



Driver Magnet Holder and Bearing Assembly



**Rotor to Shaft Assembly
6" T-35/T-57**



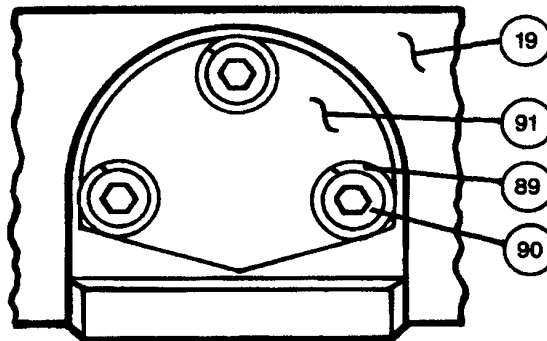
6" Model T-35/T-57 Mark II Turbo-Meter

ILLUSTRATION NUMBER	QUANTITY REQUIRED	PART DESCRIPTION	PART NUMBER	
48	2	#4-40 x 3/8" Long Fillister Head Stainless Steel Machine Screw	903340	
49	1	Downstream Bearing Retainer Plate	006-32-117-01	
51	1	Gear Post	006-31-028-00	
52	1	Gear Retainer	006-24-080-00	
53	1	Oil Reservoir Cover Plate	006-24-079-01	
54	1	Worm Gear, Stainless Steel	006-26-017-80	
55	1	Worm Wheel	006-24-035-00	
56	1	Worm Wheel Collar	006-24-070-02	
57	1	Worm Wheel Shaft	006-24-046-20	
58	1	Idler Gear	44T, T-35	006-31-344-44
			52T, T-57	006-34-344-52
59	2	Filter Screen, Stainless Steel	006-22-083-01	
60	2	Worm Wheel Shaft Bearing	908660	
60A	2	Worm Wheel Shaft Bearing Retainer Plate	006-22-117-01	
61	1	Upstream Rotor Shaft Bearing	950277	
62	1	Downstream Rotor Shaft Bearing	950236	
63	5	#6-32 x 5/32" Long Socket Stainless Steel Nylon Locking Set Screw	950375	
64	7	#4-40 x 1/4" Long Round Head Stainless Steel Machine Screw	903025	
64A	4	#4-40 x 1/8" Long Round Head Stainless Steel Machine Screw (Oil Reservoir Cover Plate Screws)	907401	
65	2	Filter Screen Retaining Ring	904419	
66	2	Oiler Felt .09 x .09	1191430	
68	1	Rotor Shaft	006-24-024-21	
69	1	Rotor Locking Pin	006-24-069-00	
70	1	Spherical Washer Set	906179	
71	1	Rotor Retaining Nut, #10-24 Hex Head	906180	
73	1	Measuring Module, Complete, 175# W.P. (Includes Illustrations 6, 19, 28-33, 74-80, 83, 84, 87 & 88), T-35	Contact Equimeter Sales Rep.	
		Measuring Module, Complete, 275# W.P. (Includes Illustrations 6, 19, 28, 29, 30, 31, 32, 33, 74, 75-78, 79, 83, 84, 87 & 88), T-35	Contact Equimeter Sales Rep.	
		Measuring Module, Complete, 720# & 1440# W.P. (Includes Illustrations 6, 19, 28, 29, 30, 31, 32, 33, 74, 75-78, 79, 83, 84, 87 & 88), T-35	Contact Equimeter Sales Rep.	
		Measuring Module, Complete, All W.P. (Includes Illustrations 6, 19, 28-33, 74-80, 83, 84, 87 & 88), T-57	Contact Equimeter Sales Rep.	
74	1	Coupling Shaft, 175#	006-24-345-20	
		Coupling Shaft, All H.P.	006-24-345-90	
75	2	#8-32 x 3/4" Hex Head Stainless Steel Machine Screw (Adapter Plate to Top Plate)	906178	
*76	1	Seal, Buna-N	904214	
		Seal, Viton (Optional)	906736	
77	1	Tygothane Tubing, 3/16" O.D. x .031" Wall, 6" Long	99993	
78	2	Vent Cap - 1/4" Assembly	006-24-505-01	
		Nipple, 1/4" x 1/4" Hex Br., 175# W.P.	904765	
79	1	Nipple, 1/4" x 3" Steel, Sch. 80, H.P.	950760	
		1/4" Needle Valve, 175# W.P.	950428	
80	1	1/4" Needle Valve, All H.P.	950710	
		Alemite Fitting	006-24-145-00	
84	1	1/4" x 1/8" Male to Female, Steel Bushing (Used with Illustration 83)	950759	
85	1	Inlet Badge	015-16-090-02	
86	2	#2 x 1/8" Long Round Head Br. Drive Screw	903003	
87	1	Manufacturer's Badge - Affixed to Top Plate	T-35	006-24-073-45555
			T-57	006-54-073-32555
88	4	#0 x 1/8" Long Round Head Br. Drive Screw	903001	

* Recommended Spare Parts

Optional Items

ILLUSTRATION NUMBER	QUANTITY REQUIRED	PART DESCRIPTION	PART NUMBER
		Oil, 1 Gallon Can	006-22-405-02
		Lubrication Hand Gun	006-24-400-00
		Blank Top Plate, 175# W.P.	006-24-003-26
		Blank Top Plate, 275# W.P.	006-24-003-27
		Blank Top Plate, 720# & 1440# W.P.	006-24-003-92
89	3	1/4" Stainless Steel Lockwasher	904030
90	3	1/4"-20 x 5/8" Long Socket Head Stainless Steel Cap Screw	908179
91	1	Cap, Probe Mounting Hole	006-24-129-00
92	1	Cover, Stuffing Box	225-16-131-01
93	2	#8-32 x 3/16" Round Head Steel Screw	914450
94	2	Compression Ring, Oil Line	950682
95	1	Oil, 4 oz. Bottle	006-22-405-01
96	2	Compression Ring, 720#, 1440# (See Ill. on page 2)	T-57 Only 950772
97	.5'	Tubing, Pressure Tap, 720#, 1440# (See Ill. on page 2)	T-57 Only 800700





805 Liberty Boulevard
DuBois, PA 15801
814-375-8875
Fax 814-375-8460

Authorized Distributor

All products purchased and services performed are subject to Sensus' terms of sale, available at either; <http://na.sensus.com/TC/TermsConditions.pdf> or 1-800-METER-IT. Sensus reserves the right to modify these terms and conditions in its own discretion without notice to the customer.
This document is for informational purposes only, and SENSUS MAKES NO EXPRESS WARRANTIES IN THIS DOCUMENT. FURTHERMORE, THERE ARE NO IMPLIED WARRANTIES, INCLUDING WITHOUT LIMITATION, WARRANTIES AS TO FITNESS FOR A PARTICULAR PURPOSE AND MERCHANTABILITY. ANY USE OF THE PRODUCTS THAT IS NOT SPECIFICALLY PERMITTED HEREIN IS PROHIBITED.