



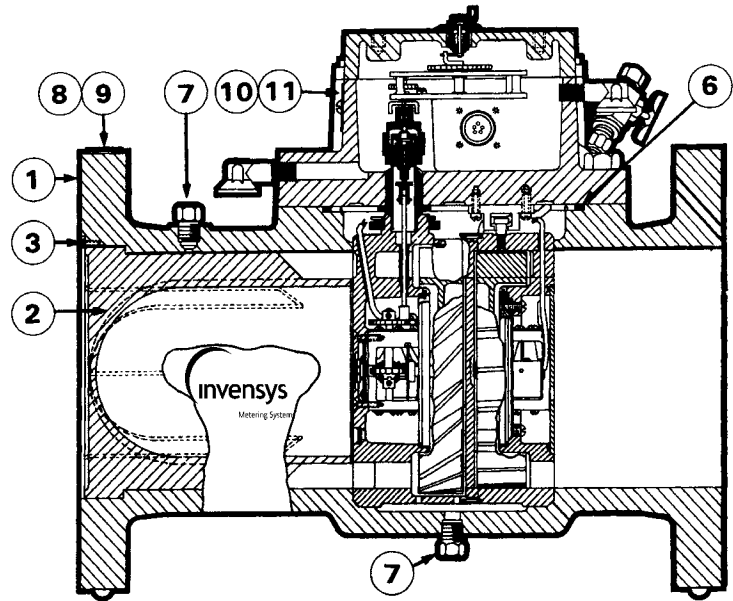
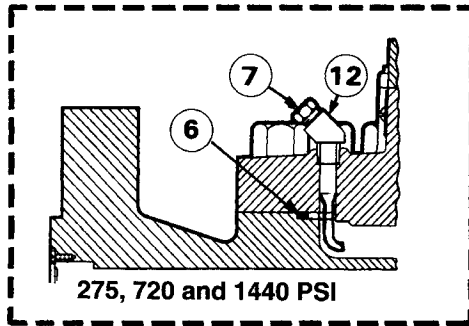
**Parts List**  
**8" AAT-60 and AAT-90**  
**Auto-Adjust II® Turbo-Meters**

---

**Parts List**  
**8" AAT-60 and AAT-90**  
**Auto-Adjust® II Turbo-Meters**

**Working Pressures:**  
**175, 275, 720 & 1440 psig**

## 8" AAT-60 AND AAT-90 AUTO-ADJUST® II TURBO-METERS

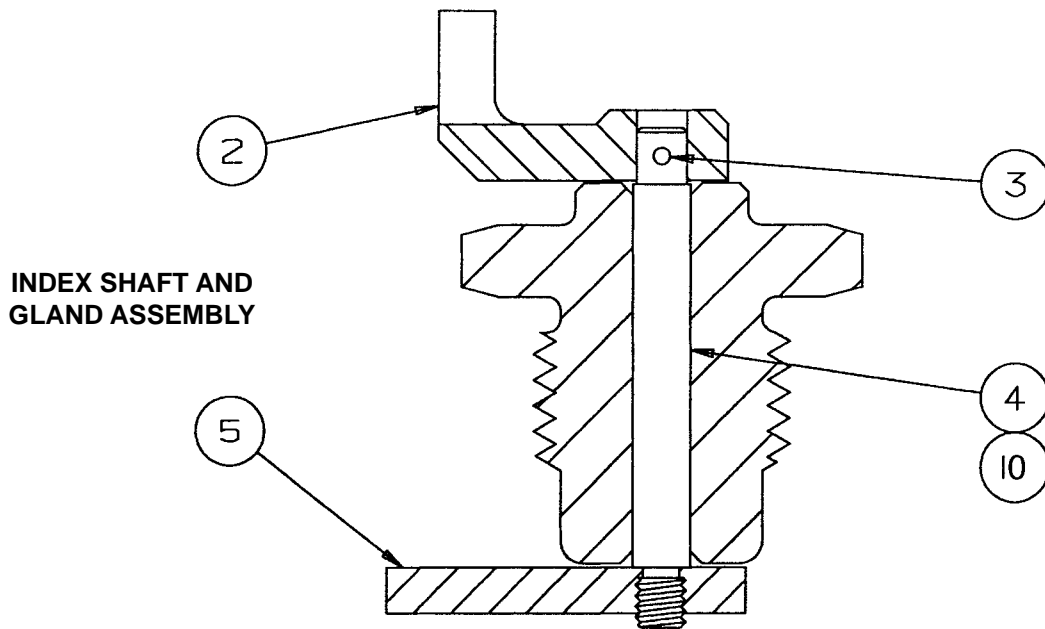
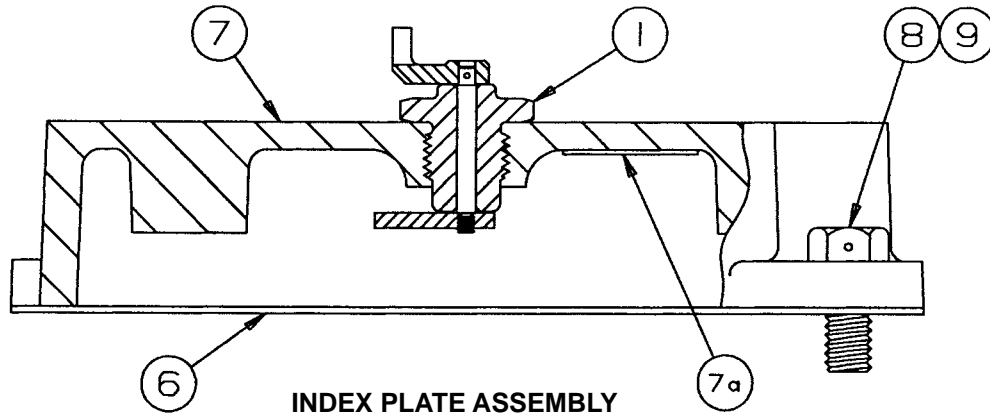


**GENERAL ASSEMBLY  
AAT-60 AND AAT-90**

### Body Assembly Components

ILLUSTRATION NUMBER	QUANTITY REQUIRED	PART DESCRIPTION	PART NUMBER
1	1	Main Body Assembly, Aluminum, 175# W.P. With Badges Less Nose Cone	006-26-611-20
		Main Body Assembly, Cast Steel, 275# W.P., ANSI 150 With Badges Less Nose Cone	006-26-611-21
		Main Body Assembly, Cast Steel, 720# W.P., ANSI 300 With Badges Less Nose Cone	006-26-611-60
		Main Body Assembly, Cast Steel, 1440# W.P., ANSI 600 With Badges Less Nose Cone	006-26-611-90
		Main Body Assembly, Cast Steel, 1440# W.P., ANSI 600 With Badges Less Nose Cone With Ring Joint Flanges	006-26-611-91
2	1	Nose Cone With Straightening Vanes, All W.P.	006-26-305-21
3	3	#8-32 x 3/8" Long Truss Head, Stainless Steel Machine Screw	950426
4	1	Manufacturer Nameplate, 175# W.P.	006-26-073-20-555
4A	1	Manufacturer Nameplate, 275# W.P.	006-26-073-30-555
4B	1	Manufacturer Nameplate, 720# W.P.	006-26-073-60-555
4C	1	Manufacturer Nameplate, 1440# W.P.	006-26-073-90-555
5	4	Manufacturer Nameplate Drive Screws	903004
* 6	1	Top Plate to Body "O" Ring, 175# W.P., Buna-N	934352
* 6A	1	Top Plate to Body "O" Ring, 175# W.P., Viton-A (Optional)	906745
* 6B	1	Top Plate to Body "O" Ring, 275#, 720#, 1440# W.P.	950191
* 6C	1	Top Plate to Body "O" Ring, 275#, 720#, 1440# W.P., Viton-A (Optional)	906746
7	2	1/4"-18 Steel Pipe Plug	906055
8	1	Inlet Badge (On Inlet Flange of Body)	015-16-090-02
9	2	Inlet Badge Drive Screw	903003
10	1	Meter Factor Badge (On Top Plate) FT <sup>3</sup>	006-32-073-10
		Meter Factor Badge (On Top Plate) M <sup>3</sup>	006-32-073-11
11	2	#8-32 x 1/4" Long Round Head Brass Machine Screw	903055
12	1	45° Steel Elbow 1/4" Male to Female for 275#, 720# and 1440#	950762
13	1	Internal Mechanism Badge (Not Shown)	006-36-073-02
14	4	#0 x 1/8" Long Drive Screw (Not Shown)	903001
15	1	C.S.A. Manufacturer Nameplate (Not Shown)	006-32-074-00
16	4	Drive Screw for C.S.A. Nameplate (Not Shown)	903003
* 17	1	Tetraseal, Buna-N	904076

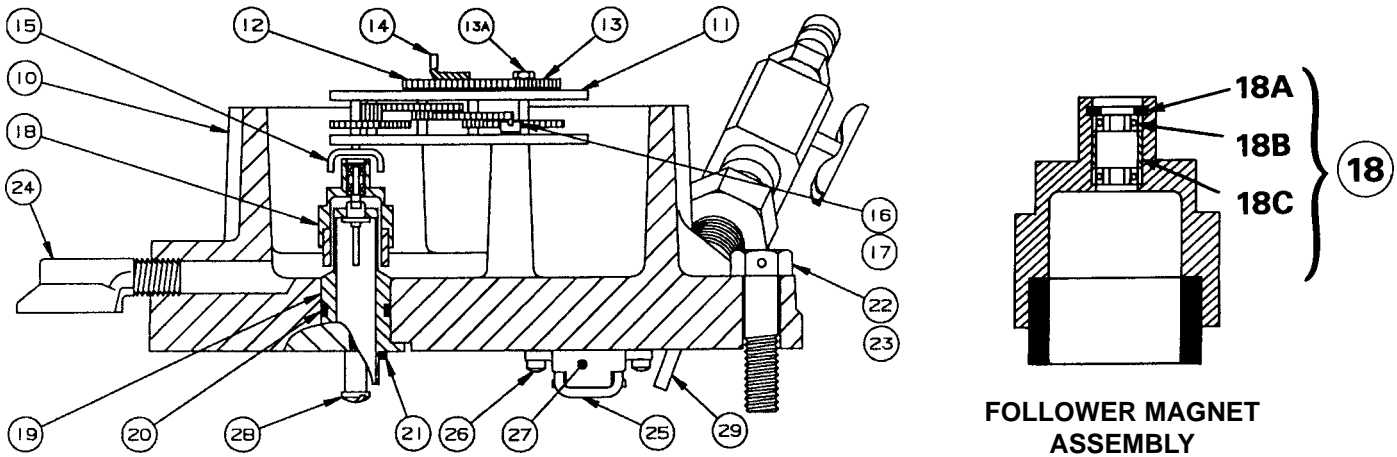
\*Recommended Spare Parts



### Index Plate Assembly Components

ILLUSTRATION NUMBER	QUANTITY REQUIRED	PART DESCRIPTION	PART NUMBER
1	1	Index Shaft Gland	006-24-023-01
2	1	Top Index Shaft Dog	006-24-061-04
* 3	1	Shear Pin, Top Index Shaft Dog	006-24-056-00
4	1	Index Shaft	006-24-054-03
5	1	Bottom Index Shaft Dog	006-24-071-00
* 6	1	Gasket, Index Plate to Top Plate	006-24-160-03
7	1	Index Plate	006-24-004-21
7A	1	Wiring Label	006-32-105-00
8	3	Cap Screw, Index Plate to Top Plate	910028
9	1	Seal Cap Screw, Index Plate to Top Plate	002-65-057-02
10	1	Index Shaft And Dog Assembly	006-24-554-02

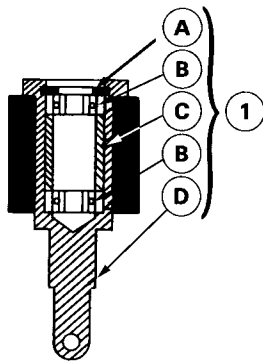
\*Recommended Spare Parts



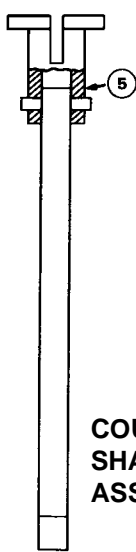
## Top Plate Assembly — Mechanical Components

ILLUSTRATION NUMBER	QUANTITY REQUIRED	PART DESCRIPTION	PART NUMBER
10	1	Top Plate Assembly, Aluminum, 175# W.P.	006-36-303-20
		Top Plate Assembly, Cast Steel, 275# W.P.	006-36-303-31
		Top Plate Assembly, Cast Steel, 720# W.P.	006-36-303-91
		Top Plate Assembly, Cast Steel, 1440# W.P.	006-36-303-91
11	1	Intermediate Gear Assembly, 1000 CF/Rev. Output, Less Change Gears	006-34-212-40
		Intermediate Gear Assembly, 10 M <sup>3</sup> /Rev. Output, Less Change Gears	006-36-212-40
12	1	Large Change Gear (Note: "XX" Refers to Gear Blank (Diameter) Size, "YY" Refers to Number of Gear Teeth. Digits Must Be Substituted for "XX" and "YY" When Ordering).	006-24-3XX-YY
13	1	Small Change Gear (See Note for Illustration No. 12 Above)	006-24-3XX-YY
13A	1	Small Change Gear Nut, #4-40 Hexagonal Stainless Steel (Not Shown)	907639
14	1	Intermediate Gear Output Dog (Top)	002-66-071-03
15	1	Intermediate Gear Input Dog (Bottom)	006-24-061-20
16	3	Intermediate Gear Retaining Screw	903371
17	3	#8 External Lockwasher, Stainless Steel	950371
* 18	1	Follower Magnet Assembly (Includes Illustration Nos. 18 A-C)	006-24-313-20
18A	1	Retaining Ring	904691
* 18B	2	Bearing	905462
18C	1	Spacer	006-24-106-20
* 19	1	Driver Magnet Well and Post Assembly, 175# & 275# W.P. (Includes Illustration No. 20)	006-24-244-20
		Driver Magnet Well and Post Assembly, 720# & 1440# W.P. (Includes Illustration No. 20)	006-26-244-90
* 20	1	Driver Magnet Well "O" Ring	950193
		Driver Magnet Well "O" Ring, Viton (Optional)	908264
* 21	1	Driver Magnet Well Tetraseal	904214
* 21A	1	Driver Magnet Well Tetraseal, Viton (Optional)	906736
22	11	Cap Screw, Top Plate to Body, 175# W.P., 1/2"-13 x 1 3/4" Long Hexagonal Head Steel Grade 5	910108
		Cap Screw, Top Plate to Body, 275# W.P., 1/2"-13 x 1 1/2" Long Hexagonal Head Steel Grade 8	950065
	13	Cap Screw, Top Plate to Body, 720# & 1440# W.P., 7/8"-9 x 2 3/4" Long Hexagonal Head Steel Grade 8	907511
23	1	Seal Cap Screw, Top Plate to Body, 175# W.P., 1/2"-13 x 1 3/4" Long Hexagonal Head Steel Grade 5	006-26-056-00
		Seal Cap Screw, Top Plate to Body, 275# W.P., 1/2"-13 x 1 1/2" Long Hexagonal Head Steel Grade 8	006-26-056-01
		Seal Cap Screw, Top Plate to Body, 720# & 1440# W.P., 7/8"-9 x 2 3/4" Long Hexagonal Head Steel Grade 8	006-26-057-91
24	2	Vent Cap, 1/4"	006-24-505-01
25	1	Extractor Bracket	006-34-089-01
26	2	Extractor Bracket Retainer Screw	903373
27	1	Spring Clip	006-41-089-00
28	2	Adapter Plate Shoulder Screw	006-32-056-01
29	1	1/8"-Aluminum Tubing For Oil System, Unformed	51911

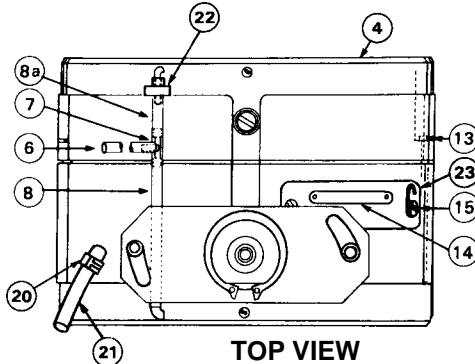
\*Recommended Spare Parts



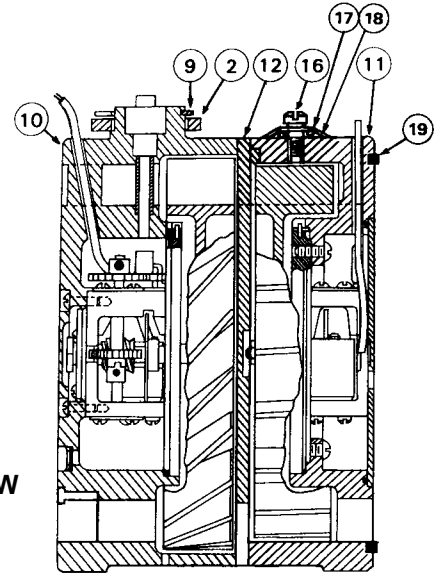
**DRIVER MAGNET HOLDER AND BEARING ASSEMBLY**



**COUPLING SHAFT ASSEMBLY**



**TOP VIEW**



**SIDE VIEW**

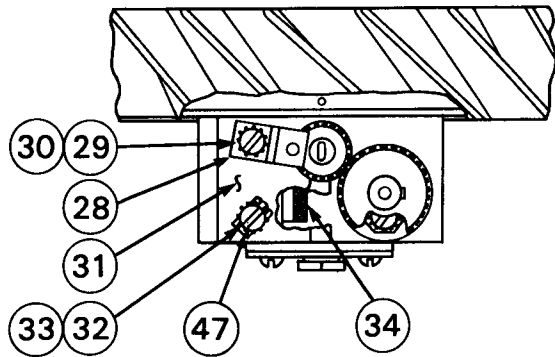
**Internal Housing Assembly — Mechanical Components**

ILLUSTRATION NUMBER	QUANTITY REQUIRED	PART DESCRIPTION	PART NUMBER
* 1	1	Driver Magnet Holder and Bearing Assembly (Includes Illustration Nos. 1 A-D)	006-31-334-00
1A	1	Bearing Retaining Ring	904691
* 1B	2	Bearing	905462
1C	1	Spacer	006-22-106-03
1D	1	Driver Magnet and Pin Assembly	006-31-234-02
2	1	Adapter Plate	006-32-062-01
4	1	Internal Housing Assembly, Calibrated with Change Gears, 175# W.P., Cubic Foot (AAT-60)	006-36-302-01
		Internal Housing Assembly, Calibrated with Change Gears, 175# W.P., Metric (AAT-60)	006-36-302-02
		Internal Housing Assembly, Calibrated with Change Gears, High Pressure, Cubic Foot (AAT-60)	006-36-302-90
		Internal Housing Assembly, Calibrated with Change Gears, High Pressure, Metric (AAT-60)	006-36-302-91
		Internal Housing Assembly, Calibrated with Change Gears, 175# W.P., Cubic Foot (AAT-90)	006-46-302-01
		Internal Housing Assembly, Calibrated with Change Gears, 175# W.P., Metric (AAT-90)	006-46-302-02
		Internal Housing Assembly, Calibrated with Change Gears, High Pressure, Cubic Foot (AAT-90)	006-46-302-90
5	1	Coupling Shaft Assembly, 175# and 275# W.P.	006-36-345-20
		Coupling Shaft Assembly, 720# and 1440# W.P.	006-36-345-90
6	1	Oil Tubing, Top Plate to Internal Housing	99993
7	1	Tee, 1/8" Polypropylene	950247
8	1	Oil Tubing, Tee to Metering Rotor Module	99993
8A	1	Oil Tubing, Tee to Sensor Rotor Module	99993
9	1	Retaining Ring	904435
** 10	1	Main (Metering) Rotor Assembly (AAT-60)	006-36-550-02
		Main (Metering) Rotor Assembly (AAT-90)	006-46-550-02
** 11	1	Sensing Rotor Assembly (AAT-60)	006-36-550-03
		Sensing Rotor Assembly (AAT-90)	006-46-550-03
** 12	1	Center Plate (AAT-60)	006-36-109-01
		Center Plate (AAT-90)	006-46-109-01
13	2	Module Connecting Screws NOTE: Maximum Torque = 24 inch-lb.	950384
14	1	Serial Number Badge	006-34-073-01
15	2	Serial Number Badge Retaining Screw	950380
16	1	Shoulder Screw, 1/4" x 1/4" Stainless Steel	950319
17	1	"O" Ring, Buna	934005
		"O" Ring, Viton	904839
18	1	Disc Spring	950749
19	1	Tetraseal, Viton	950708
20	2	Compression Ring (Pressure Tubing) (AAT-60 Only)	950772
21		Pressure Tubing (AAT-60 Only)	800700
22	3	Compression Ring (Lube Tubing)	950682
23	1	Clip for Wires	950517
24	1	Retrofit Adapter Kit (Not Shown)	006-32-190-00
25	1	Oil Tube Replacement Assembly (Not Shown) (Includes 6, 7, 8, 8A & 22)	006-36-325-00

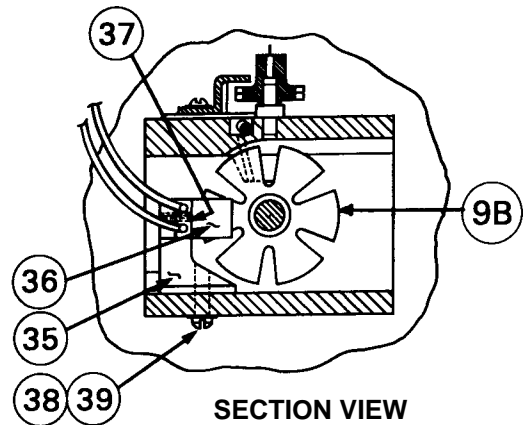
\*Recommended Spare Parts

\*\*Illustration Nos. 10, 11, and 12 affect calibration. These components must be ordered in combination and cannot be supplied as separate items.

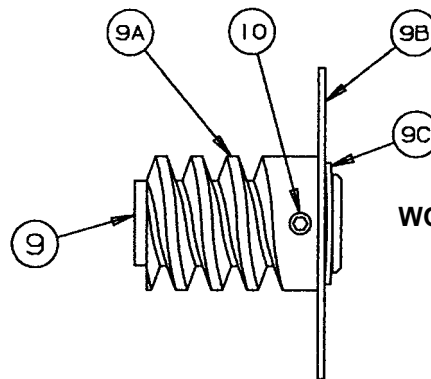
## MAIN ROTOR ASSEMBLY COMPONENTS



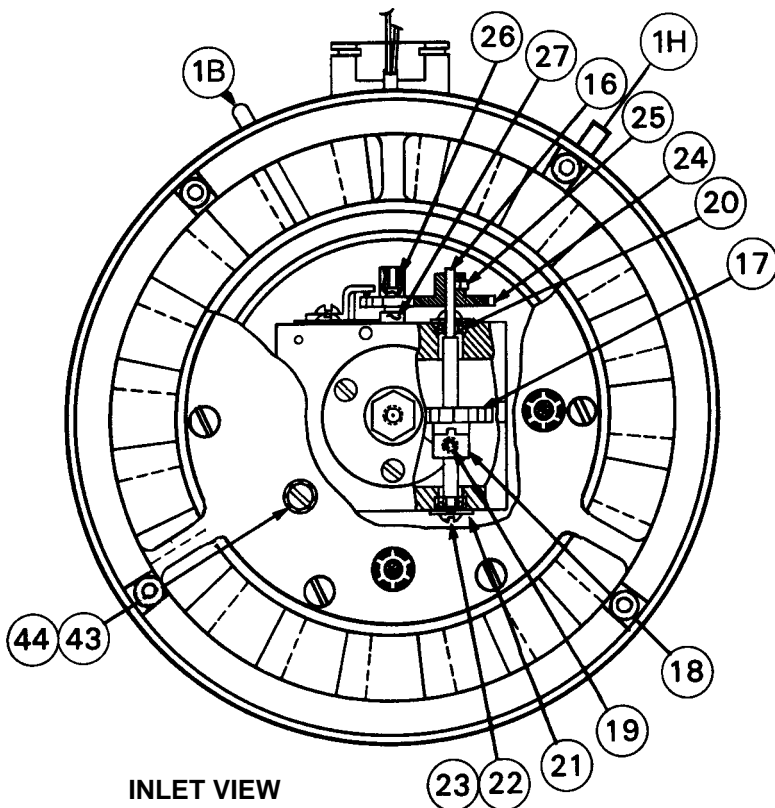
TOP VIEW  
BEARING BRACKET



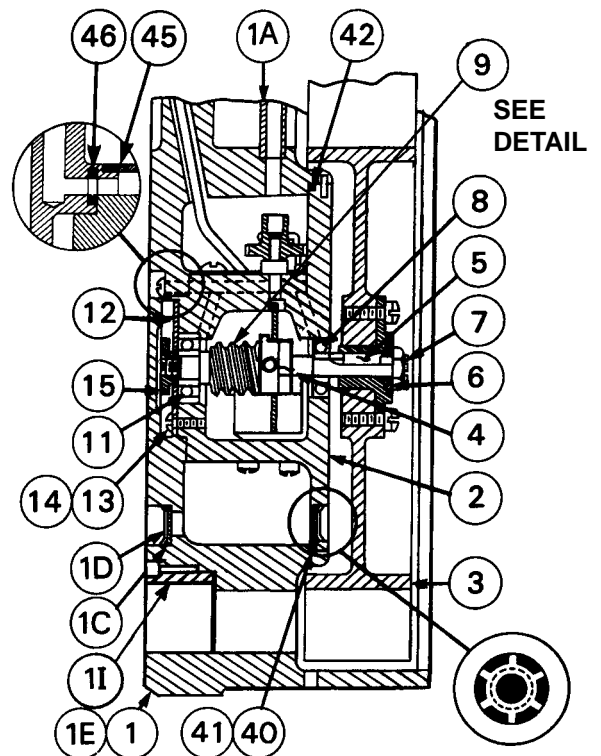
SECTION VIEW  
BEARING BRACKET



WORM AND CHOPPER  
ASSEMBLY



INLET VIEW



SIDE VIEW SECTION

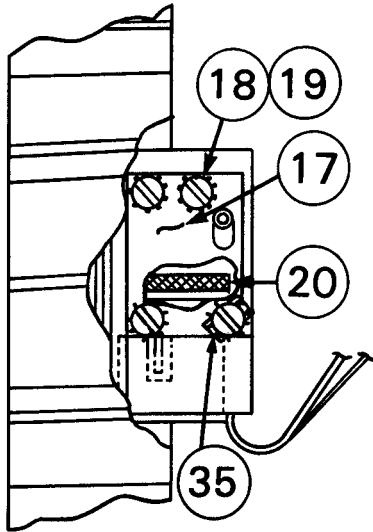
## Main Rotor Assembly Components

ILLUSTRATION NUMBER	QUANTITY REQUIRED	PART DESCRIPTION	PART NUMBER
**	1	Main (Metering) Rotor Assembly (AAT-60)	006-36-550-02
		Main (Metering) Rotor Assembly (AAT-90)	006-46-550-02
** 1	1	Carrier Assembly (Includes Illustration Nos. 1 A-I) (AAT-60)	006-36-519-03
		Carrier Assembly (Includes Illustration Nos. 1 A-I) (AAT-90)	006-46-519-03
1A	1	Coupling Shaft Shield Tube	006-36-082-01
1B	1	Oil Tubing, Aluminum	006-34-079-01
1C	2	Filter Screen, Stainless Steel	006-22-083-01
1D	2	Screen Retainer	904419
** 1E	1	Bearing Bracket Carrier (Includes 1F, G, and I)	006-36-019-05
1F	6	#6-32 x 1/4" Pan Head Stainless Steel Machine Screw	950585
1G	4	Module Seal Positioner	950756
1H	1	Pressure Tap Tube, Aluminum (AAT-60 Only)	006-34-079-02
1I	3	Vane Insert	006-36-025-00
2	1	Bearing Bracket	006-36-209-00
** 3	1	Rotor and Insert Assembly (AAT-60)	006-36-350-02
		Rotor and Insert Assembly, Machined Main Rotor (AAT-90)	006-46-350-02
4	1	Main Rotor Shaft	006-36-024-02
5	1	Locking Pin, Rotor to Shaft	006-24-069-00
6	1	Spherical Washer	006-36-077-00
7	1	Locknut	906180
* 8	1	Downstream Rotor Shaft Bearing	950277
9	1	Worm and Chopper Assembly (Includes 9A, B, C and 10)	006-36-308-02
9A	1	Worm	006-34-017-00
9B	1	Chopper Disc (Part of Worm & Chopper Assembly)	Not Sold Separately
9C	1	Retaining Ring	950800
10	2	Retaining Screw, Worm to Shaft	950305
* 11	1	Upstream Rotor Shaft Bearing	906019
12	1	Upstream Bearing Retainer Plate	006-36-117-00
13	3	Retainer Plate Screws	903013
14	3	Retainer Plate Screws Lockwasher, #3 Stainless Steel	950372
15	1	Retaining Nut, Main Rotor Shaft	006-36-084-00
16	1	Wormwheel Shaft	006-24-046-20
17	1	Wormwheel (15T)	006-24-035-00
18	1	Wormwheel Hub	006-24-070-02
19	2	Wormwheel Hub Set Screw	950375
* 20	2	Wormwheel Shaft Bearing	908660
21	2	Bearing Retainer Plate	006-22-117-01
22	4	Retainer Plate Screws	950380
23	4	#4 External Lockwasher, Stainless Steel	950078
24	1	17T Gear (AAT-60)	006-26-317-17
		23T Gear (AAT-90)	006-46-317-23
25	1	Idler Gear Set Screws	950375
26	1	44T Gear (AAT-60)	006-36-444-44
		38T Gear (AAT-90)	006-46-444-38
27	1	Drive Gear Post	006-31-028-00
28	1	Drive Gear Retainer	006-24-080-00
29	1	Drive Gear Retainer Screw	950380
30	1	Retainer Screw Lockwasher, #4, Stainless Steel	950078
31	1	Oil Reservoir Cover	006-36-053-00
32	1	Reservoir Cover Screw	950380
33	1	Cover Screw Lockwasher, #4, Stainless Steel	950078
34	1	Oil Wick, .09" x .09"	1191430
35	1	Slot Sensor Holder	006-34-078-00
36	1	Slot Sensor Switch	006-34-134-00
37	1	#0-80 x 5/16" Long Flat Head Stainless Steel Machine Screw	950238
38	2	#5-40 x 7/16" Long Fillister Head Stainless Steel Machine Screw	950243
39	2	#5 Internal Lockwasher, Stainless Steel	950374
40	1	Bearing Bracket Filter Screen, Stainless Steel	006-22-083-01
41	1	Filter Screen Retainer	904419
42	1	Bracket to Carrier Tetraseal	950424
43	4	Bracket Retaining Screws	950373
44	4	Bracket Retaining Screw External Lockwasher, #6 Stainless Steel	950144
45	1	Oil Reservoir Gasket	006-36-160-07
46	1	Seal, Oil Passage	006-36-160-09
47	1	Wire Clamp	950407

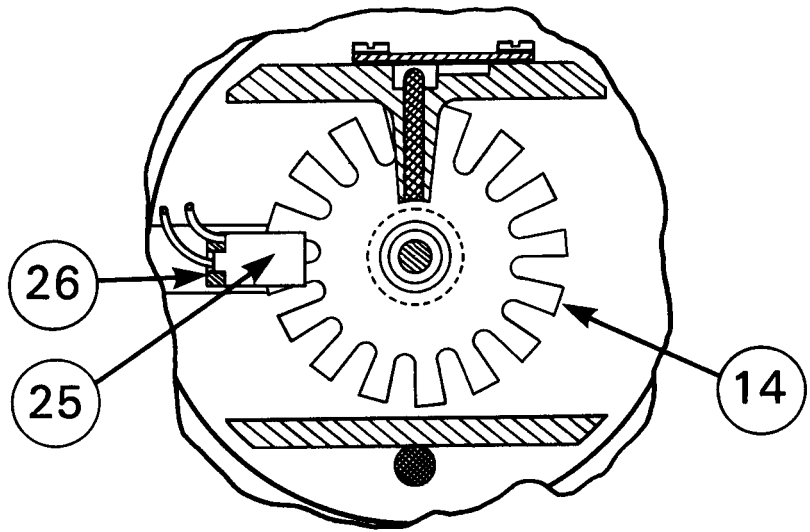
\*Recommended Spare Parts

\*\*These items affect calibration and must be ordered in combination with Sensor Assembly, (Center) Plate and Internal Housing.

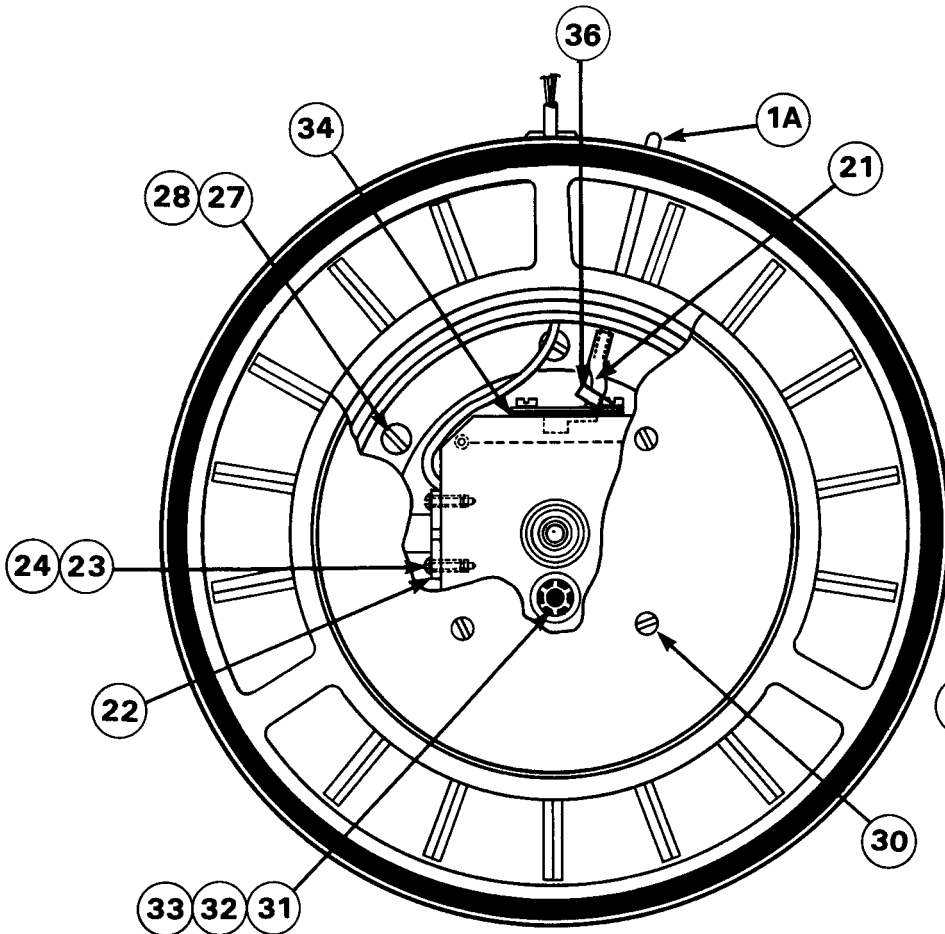
## SENSING ROTOR ASSEMBLY COMPONENTS



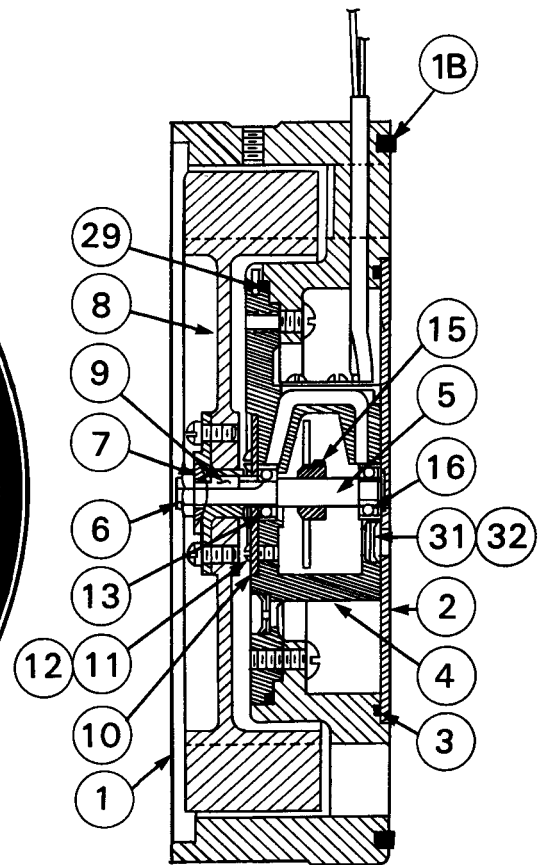
BEARING BRACKET  
TOP VIEW



BEARING BRACKET  
SECTION VIEW



DOWNSTREAM END VIEW



SIDE VIEW  
SECTION

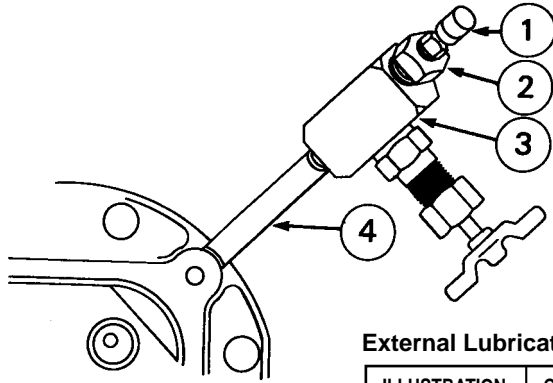


## Main Rotor Assembly Components

ILLUSTRATION NUMBER	QUANTITY REQUIRED	PART DESCRIPTION	PART NUMBER
**	1	Sensing Rotor Assembly (AAT-60)	006-36-550-03
		Sensing Rotor Assembly (AAT-90)	006-46-550-03
** 1	1	Carrier Assembly (Includes Illustration Nos. 1A & B)	006-36-519-02
1A	1	Oil Tube, Aluminum	006-36-079-01
1B	1	Tetraseal, Viton (Held in w/Bostik Adhesive 4585, P/N 905120)	950708
2	1	Housing Plate	006-36-010-00
3	1	Tetraseal	908553
4	1	Bearing Bracket	006-36-221-00
5	1	Rotor Shaft, Stainless Steel	006-36-024-01
6	1	Locknut	906180
7	1	Spherical Washer	006-36-077-00
** 8	1	Rotor and Insert Assembly (AAT-60)	006-36-350-01
		Rotor and Insert Assembly (AAT-90)	006-46-350-01
9	1	Rotor Locking Pin	006-24-069-00
10	1	Upstream Bearing Retainer Plate	006-36-117-01
11	3	#3-48 x 5/16" Long Round Head Stainless Steel Machine Screw	903013
12	3	#3 Internal Lockwasher, Stainless Steel	950372
* 13	1	Upstream Rotor Shaft Bearing	950277
14	1	Chopper Disc Assembly (Includes 15)	006-36-308-01
15	1	#4-40 x 1/8" Long Hexagonal Stainless Steel Set Screw, Nylon Locking	950305
* 16	1	Downstream Rotor Shaft Bearing	950277
17	1	Oil Reservoir Cover Assembly	006-36-253-00
18	4	Cover Retaining Screws	950380
19	4	#4 External Lockwasher	950078
20		Oil Wick, .09" x .09"	1191430
21		Tubing for Oiling System	99993
22	1	Slot Sensor Holder	006-36-078-00
23	2	Holder Retaining Screw	903013
24	2	#3 Internal Lockwasher, Stainless Steel	950372
25	1	Slot Sensor Switch Assembly	950563
26	1	Switch Retainer Screw	950238
27	6	Carrier to Bracket Retaining Screws	908722
28	6	#8 External Lockwasher, Stainless Steel	950371
29	1	Tetraseal, Carrier to Bracket	950278
30	4	Bracket Retaining Screws	903110
31	2	Filter Screen, Stainless Steel	006-22-083-01
32	2	Screen Retainer, Truarc, Stainless Steel	904419
33	1	Tetraseal	950320
34	1	Gasket, Oil Reservoir	006-36-160-08
35	1	Wire Clamp	950407
36	1	Compression Ring	950682
		Oil, 4 Ounce Bottle, RFEM	006-22-405-01
		Oil, 1 Gallon Can	006-22-405-02
		Lubrication Hand Gun	006-24-400-00
		Blank Top Plate, 175# W.P.	006-26-003-25
		Blank Top Plate, 275# W.P.	006-26-003-26
		Blank Top Plate, 720#, 1440# W.P.	006-26-003-92

\*Recommended Spare Parts

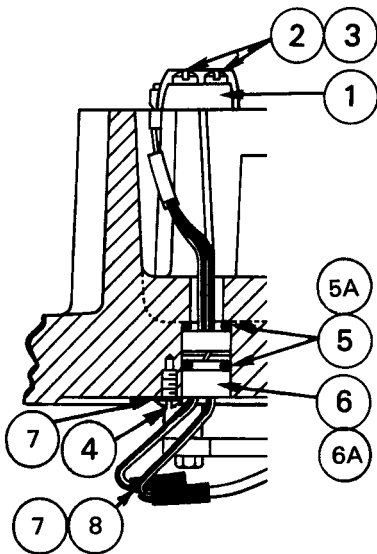
\*\*These items affect calibration and must be ordered in combination with Main Rotor Assembly and Decoupling (Center) Plate.



TOP PLATE

### External Lubrication System Fittings

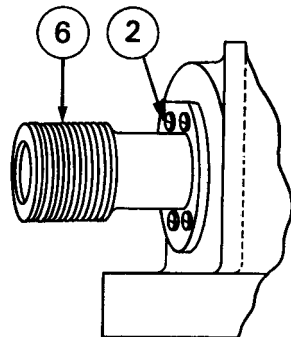
ILLUSTRATION NUMBER	QUANTITY REQUIRED	PART DESCRIPTION	PART NUMBER
1	1	Lubrication Gun Fitting	907887
2	1	Hex Bushing 1/4" to 1/8" Steel	950759
3	1	Valve, 1/4" Carbon Steel (HP)	950710
3A	1	Valve, 1/4" Brass (LP)	950428
4	1	Pipe Nipple, 1/4" x 3" Steel (HP)	950760
4A	1	Nipple, 1/4" x 3" Brass (LP)	904765



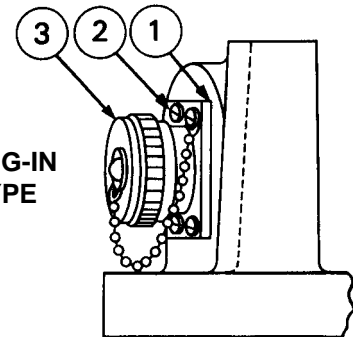
### Electrical System Fittings

ILLUSTRATION NUMBER	QUANTITY REQUIRED	PART DESCRIPTION	PART NUMBER
1	1	Terminal Block	950364
2	4	#8-32 x 3/8" Long Stainless Steel Machine Screw	903371
3	4	External Lockwasher, #8, Stainless Steel	950371
4	1	#8-32 x 3/8" Long Stainless Steel Machine Screw	903371
5	2	"O" Ring	946861
5A	2	"O" Ring, Viton	902418
6	1	Feed-Through Assembly	950588
6A	1	Feed-Through Assembly, Viton	006-32-317-00
7	1	Washer, Stainless Steel	950448
8	AR	Solder	750155
9	AR	Shrink Tube	800633

CONDUIT TYPE



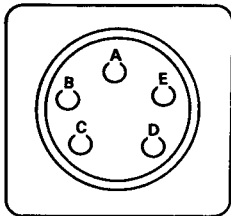
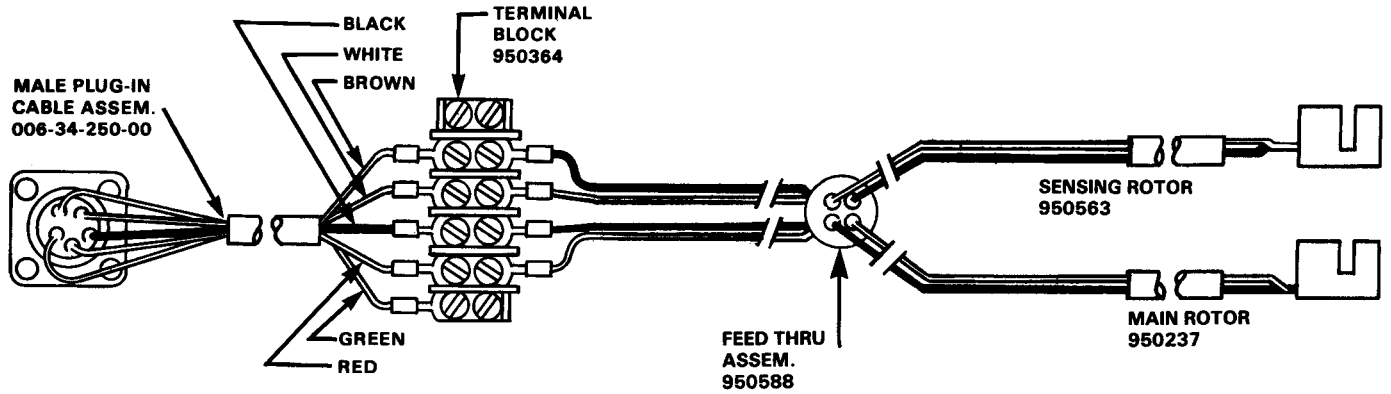
PLUG-IN TYPE



### External Wiring Fittings

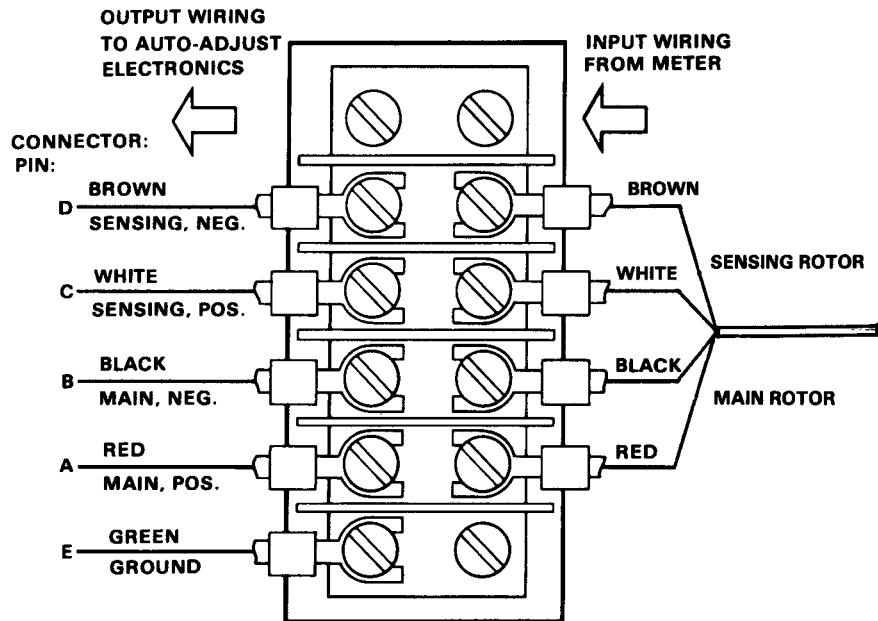
ILLUSTRATION NUMBER	QUANTITY REQUIRED	PART DESCRIPTION	PART NUMBER
1	1	Gasket	905321
2	4	#8-32 x 1/4" Long Round Head Stainless Steel Machine Screw	903055
3	1	Cap and Chain Assembly for Plug-In Connector	006-32-131-00
4	1	Plug-In Connector, Female End (Not Shown)	950388
5	1	Plug-In Connector, Male End With Wiring to Terminal Block (Not Shown)	006-34-250-00
6	1	Conduit Adapter Assembly, 1/2"-14 NPT With Wiring to Terminal Block	006-34-330-00

## AAT-60 AND AAT-90 TURBO-METER WIRING SYSTEM COMPONENTS



PLUG-IN CONNECTOR MALE END

### TERMINAL BLOCK DETAIL



TERMINAL BLOCK WIRING DETAIL FOR PLUG-IN OR CONDUIT TYPE CONNECTORS



805 Liberty Boulevard  
DuBois, PA 15801  
814-375-8875  
Fax 814-375-8460

---

## Authorized Distributor

All products purchased and services performed are subject to Sensus' terms of sale, available at either; <http://na.sensus.com/TC/TermsConditions.pdf> or 1-800-METER-IT. Sensus reserves the right to modify these terms and conditions in its own discretion without notice to the customer.

This document is for informational purposes only, and SENSUS MAKES NO EXPRESS WARRANTIES IN THIS DOCUMENT. FURTHERMORE, THERE ARE NO IMPLIED WARRANTIES, INCLUDING WITHOUT LIMITATION, WARRANTIES AS TO FITNESS FOR A PARTICULAR PURPOSE AND MERCHANTABILITY. ANY USE OF THE PRODUCTS THAT IS NOT SPECIFICALLY PERMITTED HEREIN IS PROHIBITED.