



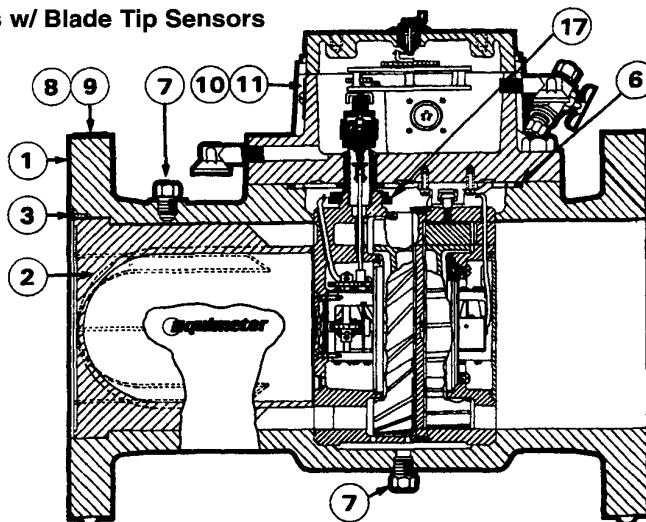
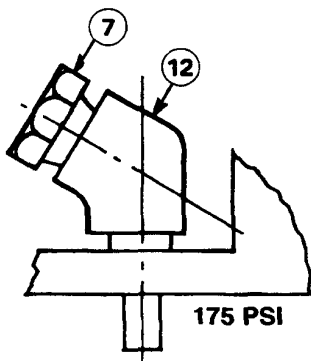
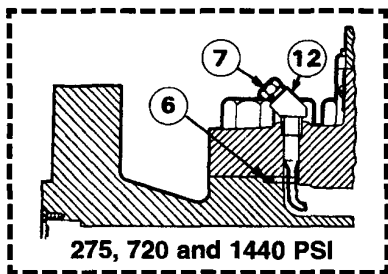
**Parts List**  
**8" AAT-60 and AAT-90 Auto-Adjust® II Turbo-Meters**  
**w/ Blade Tip Sensors**

---

**Parts List**  
**8" AAT-60 and AAT-90**  
**Auto-Adjust® II Turbo-Meters**  
**w/ Blade Tip Sensors**

**WORKING PRESSURES:**  
**175, 275, 720, 1440 psi**

## 8" AAT-60 and AAT-90 Auto-Adjust® II Turbo-Meters w/ Blade Tip Sensors



### GENERAL ASSEMBLY AAT-60 AND AAT-90 AUTO-ADJUST® II TURBO-METERS W/ BLADE TIP SENSORS

Common abbreviations found in this parts list:

- |                             |                                |
|-----------------------------|--------------------------------|
| BTS = Blade Tip Sensor      | 1S = One Sensing Rotor Sensor  |
| 1M = One Main Rotor Sensor  | 2S = Two Sensing Rotor Sensors |
| 2M = Two Main Rotor Sensors | AR = As Required               |

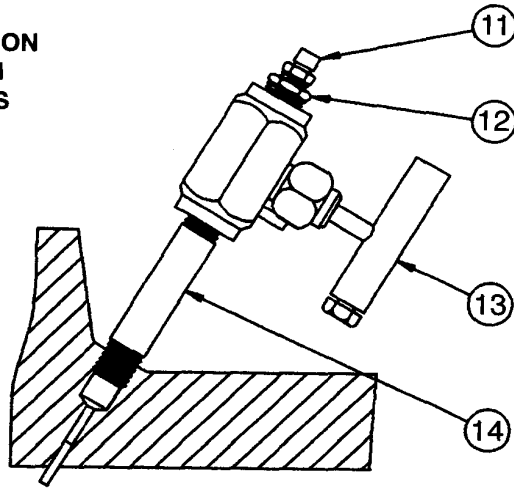
NOTE: "HP" designates 275, 720, and 1440 working pressure.

### Body Assembly Components

ILLUSTRATION NUMBER	QUANTITY REQUIRED	PART DESCRIPTION	PART NUMBER
1	1	Main Body Assembly, Aluminum, 175# W.P., With Badges Less Nose Cone	006-26-611-20
		Main Body Assembly, Cast Steel, 275# W.P., ANSI 150 With Badges Less Nose Cone	006-26-611-21
		Main Body Assembly, Cast Steel, 720# W.P., ANSI 300 With Badges Less Nose Cone	006-26-611-60
		Main Body Assembly, Cast Steel, 1440# W.P., ANSI 600 With Badges Less Nose Cone	006-26-611-90
		Main Body Assembly, Cast Steel, 1440# W.P., ANSI 600 With Badges Less Nose Cone With Ring Joint Flanges	006-26-611-91
2	1	Nose Cone With Straightening Vanes, All W.P.	006-26-305-21
3	3	#8-32 x 3/8" Long Truss Head, Stainless Steel Machine Screw	950426
4	1	Manufacturer Nameplate, 175# W.P., AAT-60 (not shown)	006-26-073-20-555
		Manufacturer Nameplate, 275# W.P., AAT-60 (not shown)	006-26-073-30-555
		Manufacturer Nameplate, 720# W.P., AAT-60 (not shown)	006-26-073-60-555
		Manufacturer Nameplate, 1440# W.P., AAT-60 (not shown)	006-26-073-90-555
		Manufacturer Nameplate, 175# W.P., AAT-90 (not shown)	006-46-073-20-555
		Manufacturer Nameplate, 275# W.P., AAT-90 (not shown)	006-46-073-30-555
		Manufacturer Nameplate, 720# W.P., AAT-90 (not shown)	006-46-073-60-555
Manufacturer Nameplate, 1440# W.P., AAT-90 (not shown)	006-46-073-90-555		
5	4	Manufacturer Nameplate Drive Screws, #4 x 3/16" Long Round Head Brass Drive Screw	903004
6	1	Top Plate to Body "O" Ring, 175# W.P., Buna-N	934352
		Top Plate to Body "O" Ring, 175# W.P., Viton-A (Optional)	906745
		Top Plate to Body "O" Ring, 275#, 720#, 1440# W.P., Buna	950191
		Top Plate to Body "O" Ring, 275#, 720#, 1440# W.P., Viton (Optional)	906746
7	3	1/4"-18 Steel Pipe Plug	906055
8	1	Inlet Badge (On Inlet Flange of Body)	015-16-090-02
9	2	Inlet Badge Drive Screw, #2 x 1/8" Round Head Brass	903003
10	1	Meter Factor Badge (On Top Plate) FT <sup>3</sup>	006-32-073-10
		Meter Factor Badge (On Top Plate) M <sup>3</sup>	006-32-073-11
11	2	#8-32 x 1/4" Long Round Head Brass Machine Screw	903055
12	1	45° Steel Elbow 1/4" Male to Female for 275#, 720# and 1440#	950762
13	1	Internal Mechanism Badge, AAT-60 (not shown)	006-36-073-02
		Internal Mechanism Badge, AAT-90 (not shown)	006-46-073-02
14	4	#0 x 1/8" Long Drive Screw (not shown)	903001
15	1	C.S.A. Manufacturer Nameplate, AAT-60 (not shown)	006-36-074-00
		C.S.A. Manufacturer Nameplate, AAT-90 (not shown)	006-46-074-00
16	4	Drive Screw for C.S.A. Nameplate (not shown)	903003
*17	1	Seal, Buna-N	904076

\*Recommended Spare Parts

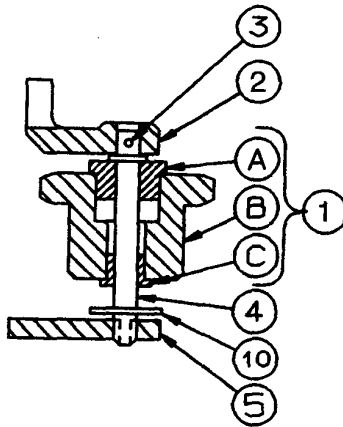
## LUBRICATION SYSTEM FITTINGS



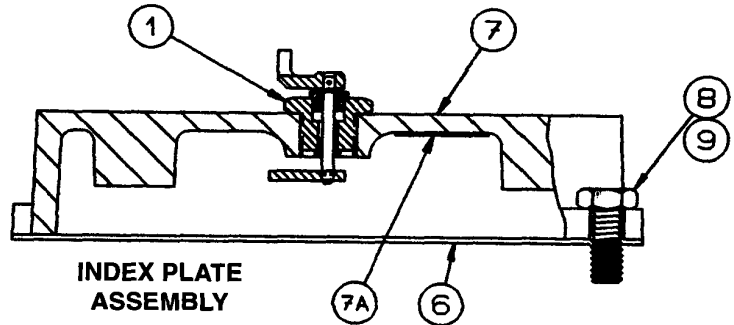
### External Lubrication System Fittings

ILLUSTRATION NUMBER	QUANTITY REQUIRED	PART DESCRIPTION	PART NUMBER
11	1	Lubrication Gun Fitting	006-24-145-00
12	1	Hex Bushing, 1/4" to 1/8" Steel	950195
13	1	Valve, 1/4" Carbon Steel	950710
14	1	Pipe Nipple, 1/4" x 3" Steel	950760

## INDEX SHAFT AND GLAND ASSEMBLY



## INDEX PLATE ASSEMBLY

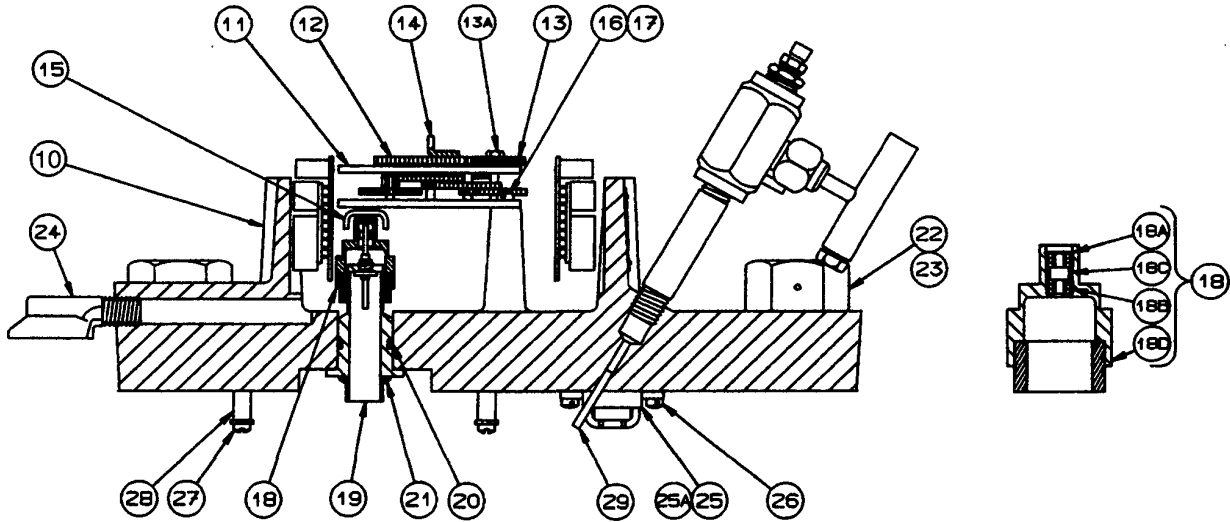


### Index Plate Assembly Components

ILLUSTRATION NUMBER	QUANTITY REQUIRED	PART DESCRIPTION	PART NUMBER
1	1	Index Shaft Gland Assembly (Includes illustration Nos. 1A-C)	006-24-323-00
1A	1	Gland	006-24-023-01
1B	1	Bushing (Top)	006-24-052-01
1C	1	Bushing (Bottom)	001-60-052-62
2	1	Top Index Shaft Dog	006-24-061-04
*3	1	Shear Pin, Top Index Shaft Dog	006-24-056-00
4	1	Index Shaft	006-24-054-02
5	1	Bottom Index Shaft Dog	006-24-071-00
*6	1	Gasket, Index Plate to Top Plate	006-24-160-03
7	1	Index Plate	006-24-004-21
7A	1	Wiring Label (BTS)	006-51-105-00
8	3	Cap Screw, Index Plate to Top Plate, 5/16"-18 x 3/4" Hex Head Steel Grade 5	910028
9	1	Seal Screw, Index Plate to Top Plate, 5/16"-18 x 3/4" Hex Head Steel Grade 5	002-65-057-02
10	1	Retaining Ring	950578

\*Recommended Spare Parts

## 8" AAT-60 and AAT-90 Auto-Adjust® II Turbo-Meters w/ Blade Tip Sensors

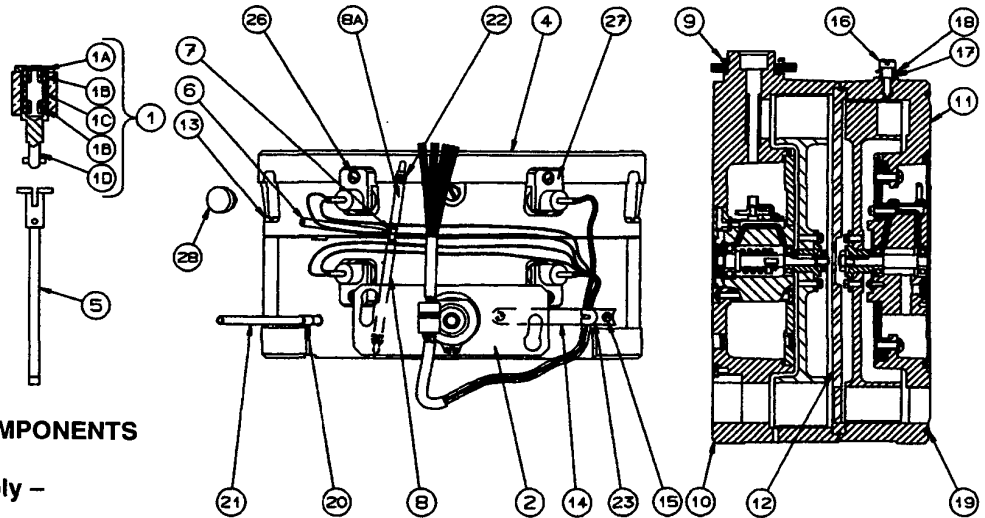


### Top Plate Assembly - Mechanical Components

ILLUSTRATION NUMBER	QUANTITY REQUIRED	PART DESCRIPTION	PART NUMBER
10	1	Top Plate Assembly, Aluminum, 175# W.P.	006-36-303-20
	1	Top Plate Assembly, Cast Steel, 275# W.P.	006-36-303-31
	1	Top Plate Assembly, Cast Steel, 720# W.P.	006-36-303-91
	1	Top Plate Assembly, Cast Steel, 1440# W.P.	006-36-303-91
11	1	Intermediate Gear Assembly, 1000 CF/Rev. Output, Less Change Gears	006-34-212-20
	1	Intermediate Gear Assembly, 10M <sup>3</sup> /Rev. Output, Less Change Gears	006-36-212-40
12	1	Large Change Gear (Note: "XX" Refers to Gear Blank (Diameter) Size, "YY" Refers to Number of Gear Teeth. Digits Must Be Substituted for "XX" and "YY" When Ordering.)	006-24-3XX-YY
13	1	Small Change Gear (See Note for Illustration No. 12 Above)	006-24-3XX-YY
13A	1	Small Change Gear Nut, #4-40 Hex Stainless Steel	907639
14	1	Intermediate Gear Output Dog (Top)	002-66-071-03
15	1	Intermediate Gear Input Dog (Bottom)	006-24-061-40
16	3	Intermediate Gear Retaining Screw, #8-32 x 3/8" Long Fillister Head Screw	903371
17	3	#8 External Lockwasher, Stainless Steel	950371
*18	1	Follower Magnet Assembly (Includes Illustration Nos. 18 A-D)	006-24-313-20
18A	1	Retaining Ring	904691
*18B	2	Bearing	905462
18C	1	Spacer	006-24-106-20
18D	1	Follower Magnet Holder Assembly With Magnet	006-24-213-20
*19	1	Magnet Well and Post Assembly, 175# & 275# W.P. (Includes Illustration No. 20)	006-24-244-20
		Magnet Well and Post Assembly, 720# & 1440# W.P. (Includes Illustration No. 20)	006-26-244-90
*20	1	Magnet Well "O" Ring, Buna	950193
		Magnet Well "O" Ring, Viton (Optional)	908264
*21	1	Magnet Well Seal, Buna	904214
		Magnet Well Seal, Viton (Optional)	906736
22	11	Cap Screw, Top Plate to Body, 175# W.P., 1/2"-13 x 1-3/4" Long Hex Head Steel Grade 5	910108
		Cap Screw, Top Plate to Body, 275# W.P., 1/2"-13 x 1-1/2" Long Hex Head Steel Grade 8	950065
		Cap Screw, Top Plate to Body, 720# & 1440# W.P., 7/8"-9 x 2-3/4" Long Hex Head Steel Grade 8	907511
23	1	Seal Cap Screw, Top Plate to Body, 175# W.P., 1/2"-13 x 1-3/4" Long Hex Head Steel Grade 5	006-26-056-00
		Seal Cap Screw, Top Plate to Body, 275# W.P., 1/2"-13 x 1-1/2" Long Hex Head Steel Grade 8	006-26-056-01
		Seal Cap Screw, Top Plate to Body, 720# & 1440# W.P., 7/8"-9 x 2-3/4" Long Hex Head Steel Grade 8	006-26-057-91
24	2	Vent Cap Assembly	006-24-505-01
25A	1	Extractor Bracket	006-34-089-01
25B	1	Spring Clip	006-41-089-00
26	2	Extractor Bracket Screw, #8-32 x 1/2" Long Fillister Head Stainless Steel Machine Screw	903373
27	2	Adapter Plate Screw, #8-32 x 7/8" Long Fillister Head	906847
28	2	Adapter Plate Bushing	006-32-113-01
29	1	1/8"-Aluminum Tubing For Oil System, Unformed	51911

\*Recommended Spare Parts

## COUPLING SHAFT AND DRIVER MAGNET COMPONENTS



## INTERNAL HOUSING COMPONENTS

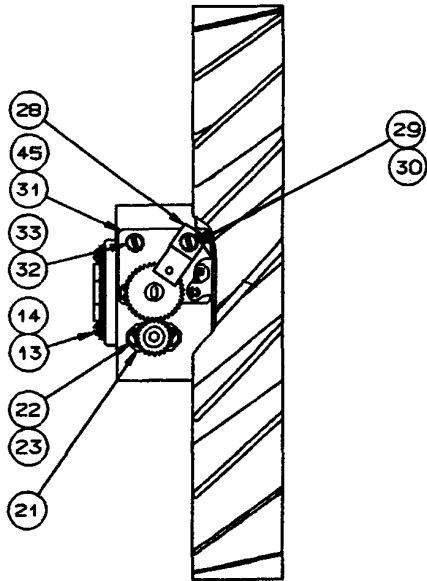
### Internal Housing Assembly – Mechanical Components

ILLUSTRATION NUMBER	QUANTITY REQUIRED	PART DESCRIPTION	PART NUMBER		
*1	1	Magnet Holder and Bearing Assembly (Includes Illustration Nos. 1 A-C)	006-31-334-00		
1A	1	Retaining Ring	904691		
*1B	2	Bearing	905462		
1C	1	Spacer	006-22-106-03		
1D	1	Magnet Holder & Pin Assembly	006-31-234-02		
2	1	Adapter Plate	006-32-062-01		
4	1	Buna 1M/1S	Internal Housing Assembly, Calibrated With Change Gears, 175# W.P., Cubic Foot	AAT-60	006-36-302-16
			Internal Housing Assembly, Calibrated With Change Gears, 175# W.P., Metric	AAT-60	006-36-302-17
			Internal Housing Assembly, Calibrated With Change Gears, High Pressure, Cubic Foot	AAT-60	006-36-302-19
			Internal Housing Assembly, Calibrated With Change Gears, High Pressure, Metric	AAT-60	006-36-302-20
			Internal Housing Assembly, Calibrated With Change Gears, 175# W.P., Cubic Foot	AAT-90	006-46-302-16
			Internal Housing Assembly, Calibrated With Change Gears, 175# W.P., Metric	AAT-90	006-46-302-17
			Internal Housing Assembly, Calibrated With Change Gears, High Pressure, Cubic Foot	AAT-90	006-46-302-19
5	1	Coupling Shaft Assembly, 175# and 275# W.P.		006-36-345-20	
		Coupling Shaft Assembly, 720# and 1440# W.P.		006-36-345-90	
6	1	Oil Tubing, Top Plate to Internal Housing	99993		
7	1	Tee, 1/8" Polypropylene	950247		
8	1	Oil Tubing, Tee to Metering Rotor Module	99993		
8A	1	Oil Tubing, Tee to Sensor Rotor Module	99993		
9	1	Retaining Ring	904435		
**10	1	Main (Metering) Rotor Assembly (AAT-60) Buna 1BTS	006-36-550-05		
		Main (Metering) Rotor Assembly (AAT-90) Buna 1BTS	006-46-550-05		
**11	1	Sensing Rotor Assembly (AAT-60) Buna 1BTS	006-36-550-06		
		Sensing Rotor Assembly (AAT-90) Buna 1BTS	006-46-550-06		
**12	1	Center Plate (AAT-60)	006-36-109-01		
		Center Plate (AAT-90)	006-46-109-01		
13	2	Module Connecting Screws, #10-24 x 3/4" Long Stainless Steel Machine Screw NOTE: Maximum Torque = 24 Inch/Lb.	950384		
14	1	Serial Number Badge	006-34-073-01		
15	2	Serial Number Badge Screw, #4-40 x 1/4" Long Pan Head Stainless Steel Machine Screw	950380		
16	1	Shoulder Screw, 1/4" x 1/4" Stainless Steel	950319		
17	1	"O" Ring, Buna	934005		
		"O" Ring, Viton	904839		
18	1	Disc Spring	950749		
19	1	Seal, Viton	950708		
20	2	Compression Ring (Pressure Tubing) AAT-60	950772		
21	1	Pressure Tubing AAT-60	800700		
22	3	Compression Ring (Lube Tubing)	950682		
23	1	Wire Clip	950517		
25	1	Oil Tube Replacement Assembly (Not Shown) (Includes 6, 7, 8, 8A & 22)	006-36-325-00		
26	AR	8-32 x 3/8" Long Fillister Head Screw	903371		
27	AR	Sensor Clip	006-51-041-02		
28	AR	Sensor Plug	006-51-043-01		

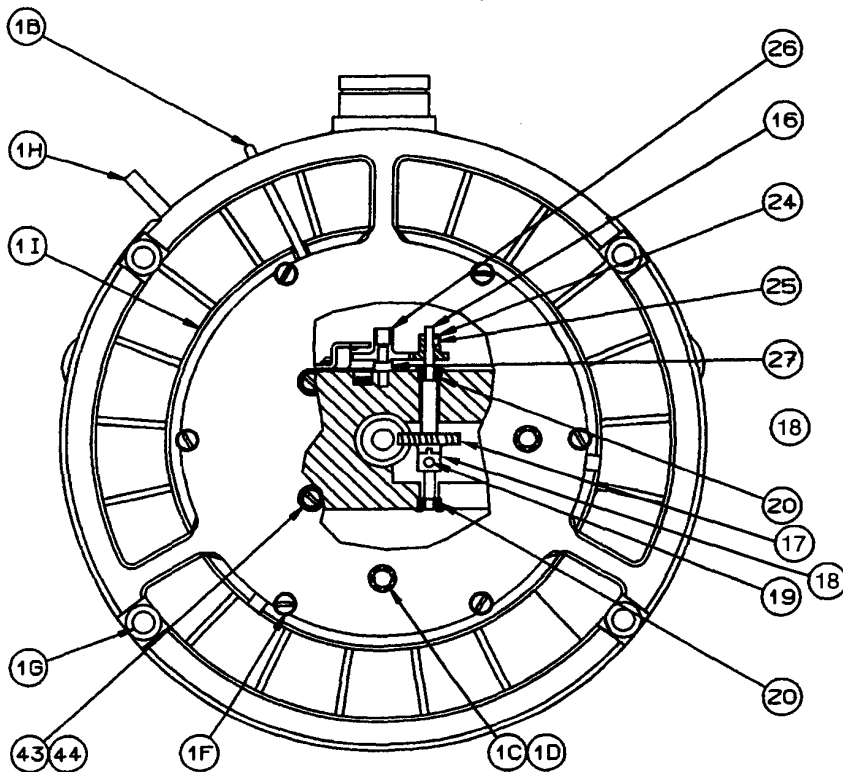
\* Recommended Spare Parts

\*\* Illustration Nos. 10, 11, and 12 affect calibration. These components must be ordered in combination and cannot be supplied as separate items.

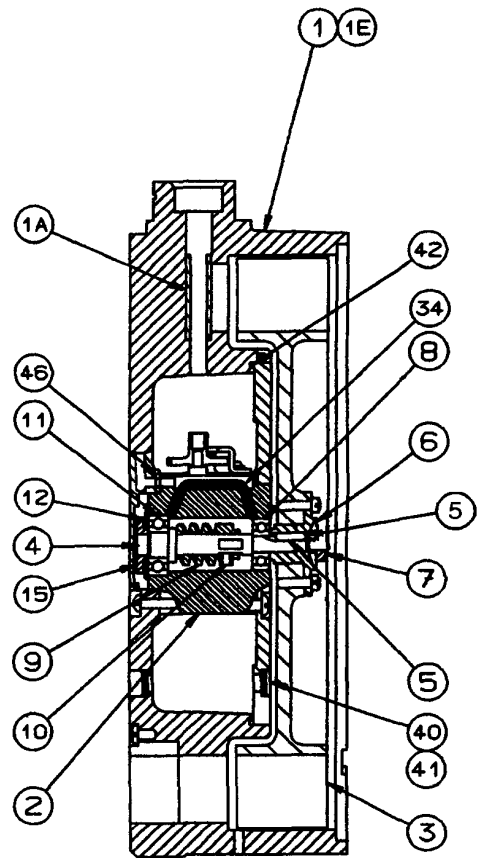
8" AAT-60 and AAT-90 Auto-Adjust® II Turbo-Meters w/ Blade Tip Sensors  
**MAIN (METERING) ROTOR ASSEMBLY COMPONENTS**



**TOP VIEW  
 BEARING BRACKET**



**INLET VIEW**



**SIDE VIEW**



## Main Rotor Assembly Components

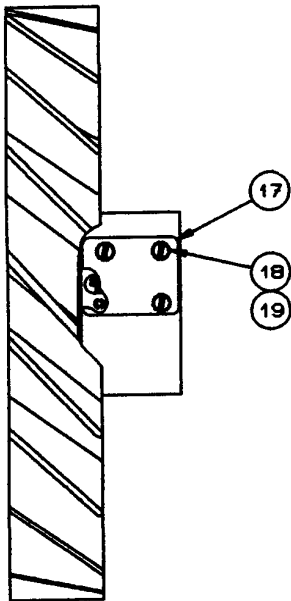
ILLUSTRATION NUMBER	QUANTITY REQUIRED	PART DESCRIPTION	PART NUMBER
**	1	Main (Metering) Rotor Assembly, Buna, 1 BTS, AAT-60	006-36-550-05
		Main (Metering) Rotor Assembly, Buna, 1 BTS, AAT-90	006-46-550-05
**1	1	Carrier Assembly (Includes Illustration Nos. 1 A-I)	006-36-519-04
1A	1	Coupling Shaft Shield Tube	006-36-082-01
1B	1	Oil Tubing, Aluminum	006-34-079-01
1C	2	Filter Screen, Stainless Steel	006-22-083-01
1D	2	Screen Retainer	904419
**1E	1	Bearing Bracket Carrier	006-36-019-06
1F	6	#6-32 x 1/4" Pan Head Stainless Steel Machine Screw	950585
1G	4	Module Seal Positioner	950756
1H	1	Pressure Tap Tube, Aluminum, AAT-60	006-34-079-02
1I	3	Vane Insert	006-36-025-00
2	1	Bearing Bracket	006-36-209-02
**3	1	Rotor and Insert Assembly, AAT-60	006-36-350-02
		Rotor and Insert Assembly, AAT-90	006-46-350-02
4	1	Main Rotor Shaft	006-36-024-02
5	1	Locking Pin, Rotor to Shaft	006-24-069-00
6	1	Spherical Washer	006-36-077-00
7	1	Locknut	906180
*8	1	Downstream Rotor Shaft Bearing	950277
9	1	Worm	006-34-017-00
10	2	Retaining Screw, Worm to Shaft, #4-40 x 1/8" Long Hex Head Stainless Steel Set Screw, Nylon Locking	950305
*11	1	Upstream Rotor Shaft Bearing	906019
12	1	Upstream Bearing Retainer Plate	006-36-117-00
13	3	#3-48 x 5/16" Long Round Head Stainless Steel Machine Screw	903013
14	3	Lockwasher, #3 Stainless Steel	950372
15	1	Retaining Nut, Main Rotor Shaft	006-36-084-00
16	1	Wormwheel Shaft	006-24-046-20
17	1	Wormwheel (15T)	006-24-035-00
18	1	Wormwheel (Hub)	006-24-070-02
19	2	Set Screw, #6-32 x 1/8" Long Stainless Steel Nylon Locking	950375
*20	2	Bearing	908660
21	2	Bearing Retainer Plate	006-22-117-01
22	4	#4-40 x 1/4" Long Pan Head Stainless Steel Machine Screw	950380
23	4	#4 External Lockwasher, Stainless Steel	950078
24	1	17T Idler Gear, AAT-60	006-26-317-17
		23T Idler Gear, AAT-90	006-36-317-23
25	1	Idler Gear Set Screws, #6-32 x 1/8" Long Stainless Steel Nylon Locking	950375
26	1	44T Drive Gear, AAT-60	006-36-444-44
		38T Drive Gear, AAT-90	006-46-444-38
27	1	Gear Post	006-31-028-00
28	1	Gear Retainer	006-24-080-00
29	1	#4-40 x 1/4" Long Pan Head Stainless Steel Machine Screw	950380
30	1	Lockwasher, #4, Stainless Steel	950078
31	1	Oil Reservoir Cover	006-36-053-00
32	1	#4-40 x 1/4" Long Pan Head Stainless Steel Machine Screw	950380
33	1	Lockwasher, #4, Stainless Steel	950078
34	1	Oil Wick, .09" x .09"	1191430
40	1	Filter Screen, Stainless Steel	006-22-083-01
41	1	Filter Screen Retainer	904419
42	1	Bracket to Carrier Seal	950424
43	4	#6-32 x 1/2" Long Round Head Stainless Steel Machine Screw	950373
44	4	Lockwasher, #6 Stainless Steel	950144
45	1	Oil Reservoir Gasket	006-36-160-07
46	1	Seal, Oil Passage	006-36-160-09

\* Recommended Spare Parts

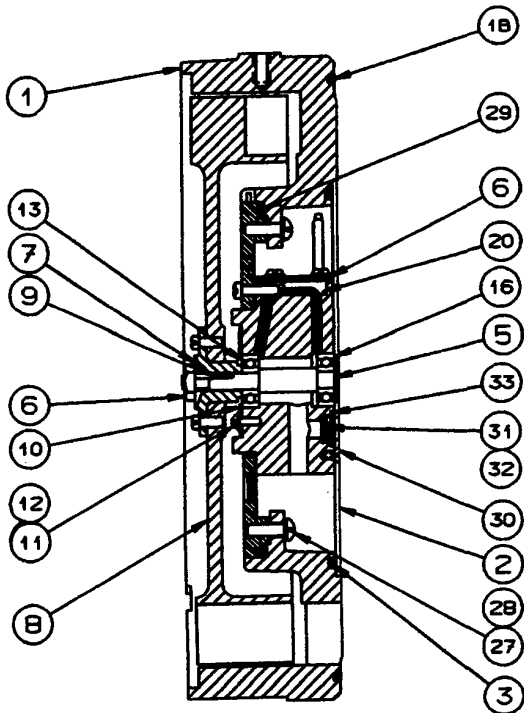
\*\* These items affect calibration and must be ordered in combination with Sensor Assembly, (Center) Plate, and Internal Housing.

8" AAT-60 and AAT-90 Auto-Adjust® II Turbo-Meters w/ Blade Tip Sensors

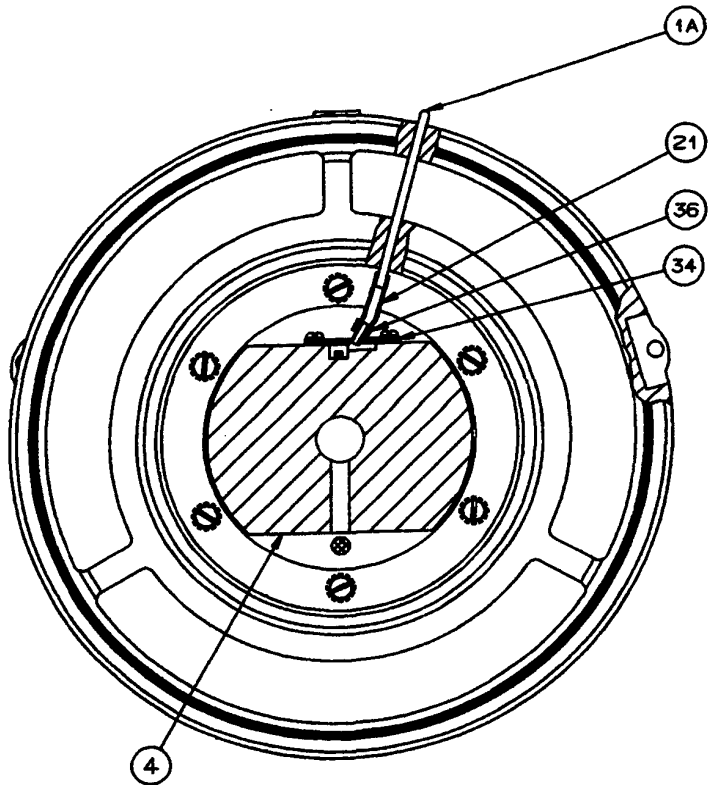
## SENSING ROTOR ASSEMBLY COMPONENTS



BEARING BRACKET  
TOP VIEW



SIDE VIEW



DOWNSTREAM  
END VIEW

### Sensing Rotor Assembly Components

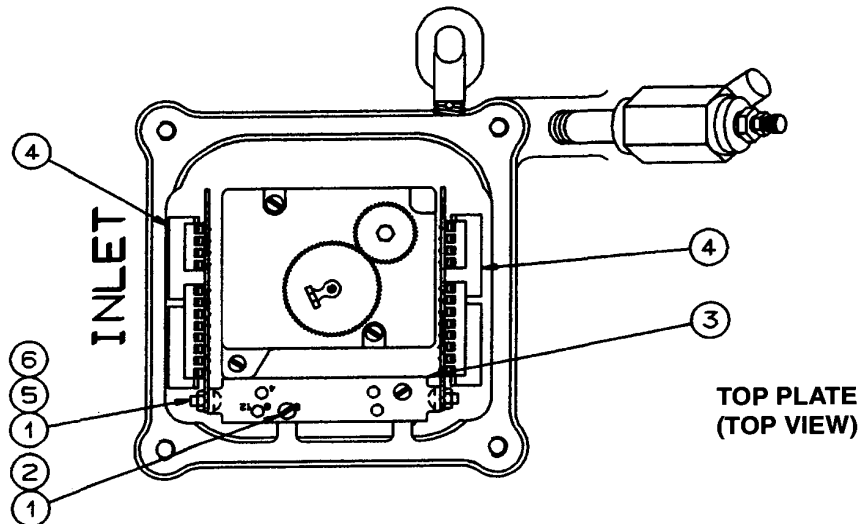
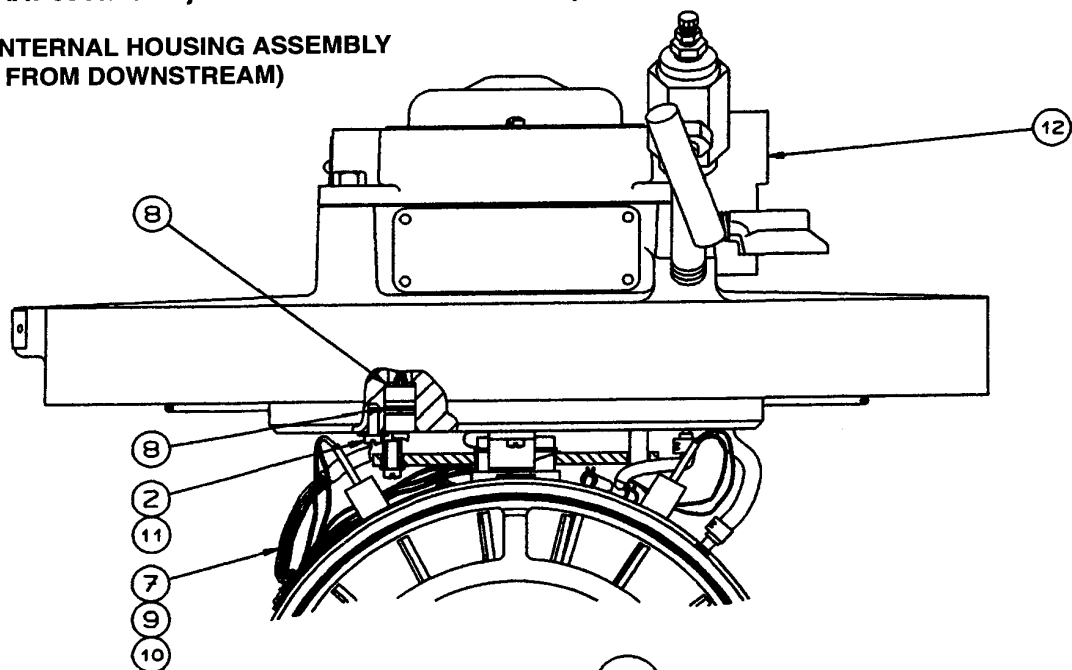
ILLUSTRATION NUMBER	QUANTITY REQUIRED	PART DESCRIPTION	PART NUMBER
**	1	Sensing Rotor Assembly, Buna, 1 BTS, AAT-60	006-36-550-06
		Sensing Rotor Assembly, Buna, 1 BTS, AAT-90	006-46-550-06
**1	1	Carrier Assembly (Includes Illustration Nos. 1A & B)	006-36-519-05
1A	1	Oil Tube, Aluminum	006-36-079-01
1B	1	Seal, Viton (Held in w/Bostik Adhesive 4585, P/N 905120)	950708
2	1	Housing Plate	006-36-010-00
3	1	Seal	908553
4	1	Bearing Bracket	006-36-221-01
5	1	Rotor Shaft	006-36-024-01
6	1	Locknut	906180
7	1	Spherical Washer	006-36-077-00
**8	1	Rotor and Insert Assembly, AAT-60	006-36-350-01
		Rotor and Insert Assembly, AAT-90	006-46-350-01
9	1	Rotor Locking Pin	006-24-069-00
10	1	Upstream Bearing Retainer Plate	006-36-117-01
11	3	#3-48 x 5/16" Long Round Head Stainless Steel Machine Screw	903013
12	3	#3 Internal Lockwasher, Stainless Steel	950372
*13	1	Upstream Rotor Shaft Bearing	950277
*16	1	Downstream Rotor Shaft Bearing	950277
17	1	Oil Reservoir Cover Assembly	006-36-253-00
18	4	#4-40 x 1/4" Long Pan Head Stainless Steel Machine Screw	950380
19	4	#4 External Lockwasher	950078
20	AR	Oil Wick, .09" x .09"	1191430
21	AR	Tubing for Oiling System	99993
27	6	#8-32 x 1/2" Long Round Head Stainless Steel Machine Screw	908722
28	6	#8 External Lockwasher, Stainless Steel	950371
29	1	Seal, Carrier to Bracket	950278
30	4	#4-40 x 1/4" Long Flat Head Machine Screw	903110
31	2	Filter Screen, Stainless Steel	006-22-083-01
32	2	Screen Retainer	904419
33	1	Seal	950320
34	1	Gasket, Oil Reservoir	006-36-160-08
36	1	Compression Ring, Oil Tubing	950682
		Oil, 4 Ounce Bottle, RFEM	006-22-405-01
		Oil, 1 Gallon Can	006-22-405-02
		Lubrication Hand Gun	006-24-400-00
		Blank Top Plate, 175# W.P.	006-26-003-25
		Blank Top Plate, 275# W.P.	006-26-003-26
		Blank Top Plate, 720#, 1440# W.P.	006-26-003-92

\* Recommended Spare Parts

\*\* These items affect calibration and must be ordered in combination with Main Rotor Assembly and Decoupling (Center) Plate.

## 8" AAT-60 and AAT-90 Auto-Adjust® II Turbo-Meters w/ Blade Tip Sensors

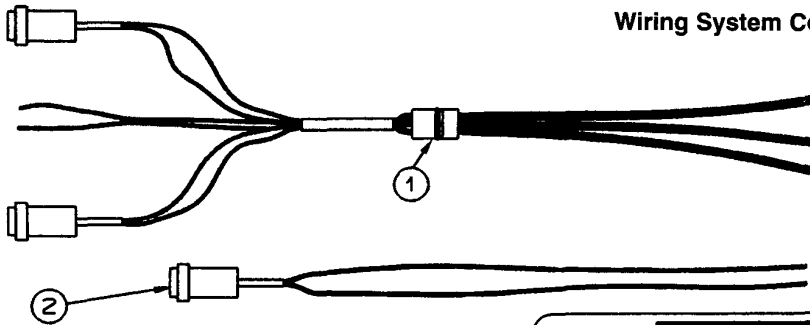
### TOP PLATE & INTERNAL HOUSING ASSEMBLY (VIEW FROM DOWNSTREAM)



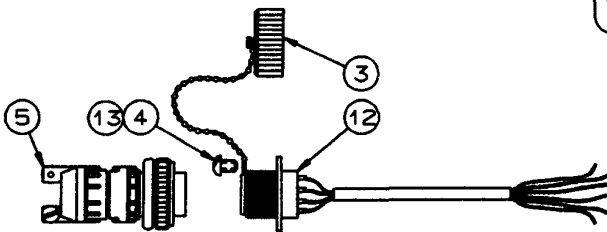
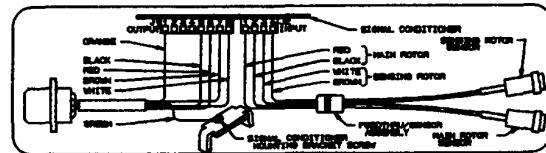
### Electrical System

ILLUSTRATION NUMBER	QUANTITY REQUIRED	PART DESCRIPTION	PART NUMBER
1	AR	#8 Sta Stl Lockwasher	950371
2	AR	#8-32 x 3/8" Long Stainless Steel Fillister Head Screw	903371
3	1	Signal Conditioner Mounting Bracket	006-51-048-00
4	AR	Dual Channel Signal Conditioner	951232
		Single Channel Signal Conditioner	951233
5	AR	#8-32 Stainless Steel Hex Nut	903924
6	AR	#8-32 x 3/8" Long Stainless Steel Pan Head Screw	950839
7	1	Sensor / Feedthru Assembly Buna 1M/1S	951231
		Sensor / Feedthru Assembly Viton 1M/1S	006-32-317-02
8	AR	O-Ring Viton -40	950774
		O-Ring Buna	946861
9	AR	Shrink Tubing	800633
10	AR	Solder, Bar Form, 50/50, 1/4" dia., 2" pc.	750155
11	1	Regular Washer	950448
12	1	Bendix Connector Manifold	006-51-122-05

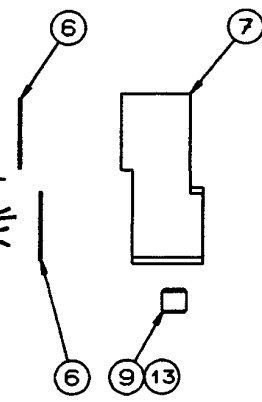
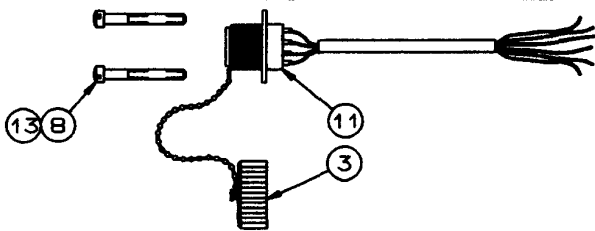
## Wiring System Components For Blade Tip Sensors



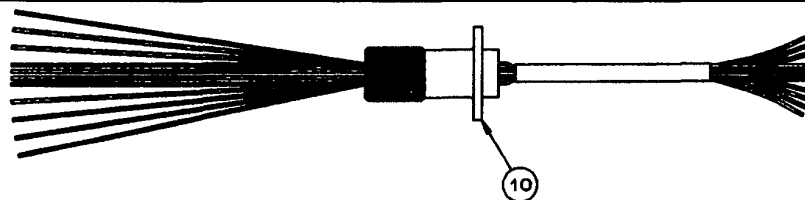
### WIRING LABEL



OR



OR



### Wire Fittings

ILLUSTRATION NUMBER	QUANTITY REQUIRED	PART DESCRIPTION	PART NUMBER
1	AR	Sensor Feedthru Assembly, Buna 1M/1S (Includes Item 2)	951231
2	AR	Main Rotor Sensor Coil and Wire Assembly (Red/Black Wires)	951237
		Sensing Rotor Sensor Coil and Wire Assembly (White/Brown Wires)	951236
3	AR	Bendix Cap and Chain Assembly	006-32-101-00
4	AR	#8-32 x 1/4" Long Stainless Steel Round Head Screw	903055
5	AR	6 Socket Bendix Cable Connecting Plug	951245
6	AR	Bendix Connector Gasket	905321
7	AR	Bendix Connector Manifold	006-51-122-05
8	AR	#8-32 x 1-1/2" Lg Fillister Head Screw	919711
9	AR	5/16-18 x 3/8" Lg Set Screw	906220
10	AR	Six Wire Conduit Connector Assembly 1M/1S	006-51-330-00
		Eleven Wire Conduit Connector Assembly 1M/2S 2M/1S 2/2S	006-51-330-01
11	AR	Six Wire Bendix Connector Assembly	All Bendix Applications
		Four Wire Bendix Connector Assembly	2 Main/1 Sensing Application
12	AR	Four Wire Bendix Connector Assembly	1 Main/2 Sensing Applications
		Four Wire Bendix Connector Assembly	2 Main/2 Sensing Applications
13	AR	Thread Locking Agent	905115



805 Liberty Boulevard  
DuBois, PA 15801  
814-375-8875  
Fax 814-375-8460

---

## Authorized Distributor

All products purchased and services performed are subject to Sensus' terms of sale, available at either; <http://na.sensus.com/TC/TermsConditions.pdf> or 1-800-METER-IT. Sensus reserves the right to modify these terms and conditions in its own discretion without notice to the customer.

This document is for informational purposes only, and SENSUS MAKES NO EXPRESS WARRANTIES IN THIS DOCUMENT. FURTHERMORE, THERE ARE NO IMPLIED WARRANTIES, INCLUDING WITHOUT LIMITATION, WARRANTIES AS TO FITNESS FOR A PARTICULAR PURPOSE AND MERCHANTABILITY. ANY USE OF THE PRODUCTS THAT IS NOT SPECIFICALLY PERMITTED HEREIN IS PROHIBITED.